



selux

P E E T A

Application Guide

Peeta - Lines of Light

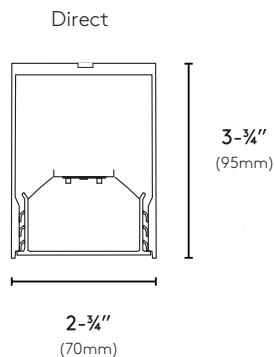
that endure the outside

Upholding the known quality standards of Selux linear fixtures, Peeta goes to new lengths. A fully sealed luminaire that is able to achieve IP65, IK10, and 3G rating - now that's at a whole other level!

Designed to fully seal along the length of the tri-extruded lens and mechanically seal at the ends with unobtrusive hardware, Peeta brings with it strength, stability, and resilience to even the most challenging applications.

Product Specifications

Series:	Peeta - Direct
Mounting:	Rigid Stem · Recessed · Wall · Surface · Vertical/Horizontal Surface · Catenary
Output:	330 - 1205lm/ft · up to 90lm/W
CCT/CRI:	2700K · 3000K · 3500K · 4000K · 80+ or 90+ CRI
Shielding:	LED Optimized White Lens · LMO optics - 20° Wall Washer · 5° Wall Grazer · Narrow Beam · Batwing
Options:	Runs · Faux Wood Finish · Cold Weather Emergency Battery Pack · Emergency Circuit Wiring · Joiners and unlit Corner Hubs · 3G Rating · BA/BAA/BABAA Compliance



Why Peeta?

Interior or Exterior Luminaire

Tested for the Elements

Fully Sealed up to 12ft

Configurable

Emergency Lighting

Ease of Joiners

Declare Label

Variety of Finishes



Peeta is a versatile light suitable for many indoor and outdoor uses.

It offers protected lighting for bathrooms, entrances,
canopies, and courtyards.

Construction



Multi-purpose mounting channel

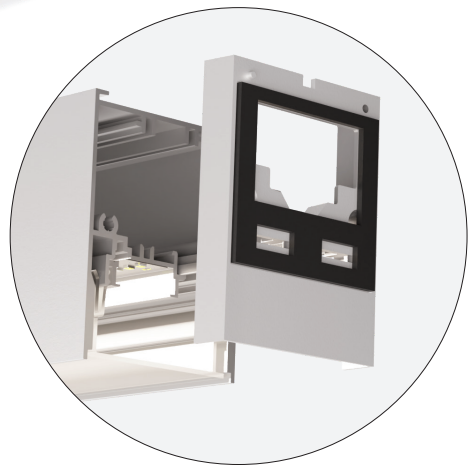
Extruded aluminum housing

Integral Dimming Driver

Geartray with LED boards

Sealing wings

Tri-extruded Lens



The aluminum endcap and connecting endcap features a gasket, sealing block, and pressure plate to create an extra watertight seal.

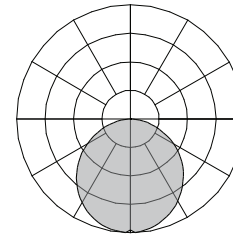
Up to 1,200lm/ft

Powerful, purposeful,
protected light

Up to 90lm/W

Efficient, comfortable
distributions for a
variety of applications

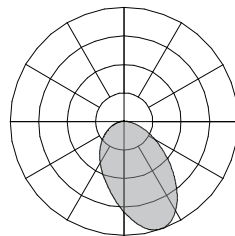
Distributions



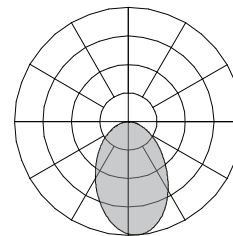
LW - LED Optimized White Lens
(up to 68lm/W)
Application: general illumination

Light Modulation Optics (LMO)

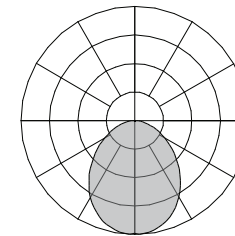
Our proprietary extruded LMO optics behind a tri-extruded lightly diffuse lens create an optical offering for any space



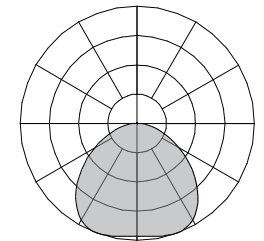
A2 - LMO Asymmetric
20° Wall Washer
(up to 79lm/W)
Application: wall washing



A5 - LMO Asymmetric
5° Wall Grazer
(up to 90lm/W)
Application: wall grazing



NB - LMO Symmetric
(up to 80lm/W)
Application: general task
illumination



BW - LMO Batwing
(up to 81lm/W)
Application: general
illumination, wide spacing

Certifications and Listings

BA / BAA / BABAA Compliance

- designed with locally made components and materials, suited for government projects or when in need of a local product.



Declare - our product material transparency shows off the Peeta range as Red List Approved, meaning care and consideration went into part and vendor selection.



3G - made to withstand vibrations typically found in transportation applications, the Selux Peeta passed the stress test conducted in accordance with the ANSI C136.31-2010.



IP65 - Peeta is a dust tight luminaire and protects the light against waterjets in accordance with IEC 60598-1 (IEC 60529).

IP65

IK10 - IEC 62262 specifies how to test luminaires for the protection against external mechanical impacts, and Peeta meets those requirements.

IK10



Facade Lighting

Used to create a welcome feel and to define precise architectural lines of commercial buildings, Peeta can be used on a facade without the worry of long-term performance.

Applications

Interior Spaces **exposed** to water and humidity

Peeta is fully sealed and IP65 rated, and uses tamper-resistant hardware. It's perfect for quality lighting for indoor or outdoor spaces that are exposed to moisture, water, humidity, and other stressors.







Catenary Spaces

There are a variety of times when a catenary installation is the best solution - high foot traffic areas, spaces needing minimal pole interruption, decorative/celebratory areas, courtyards, walkways - just to name a few.

Peeta, our first linear catenary fixture joins several other Selux catenary products, allowing you full choice and design control over your project. Individual or daisy-chained fixtures allow for as little or as much light as you need to cover your space with welcoming light.

WHAT'S INCLUDED

Adjustable Turnbuckles are used to adjust by rotating the turnbuckle body to raise or lower the fixture

Stainless Steel Structural Tension Cable provides strength and stiffness for static structures, with larger diameters as spans and loads increase.

Selux offers **mounting points for poles or anchored brackets**, with appropriate sizes calculated for each project. On-site PE must evaluate brackets to the structure.

Selux can provide **professional engineer stamped drawings** for a fee, which should be identified early in the project to include costs in the budget, as they may extend lead time.

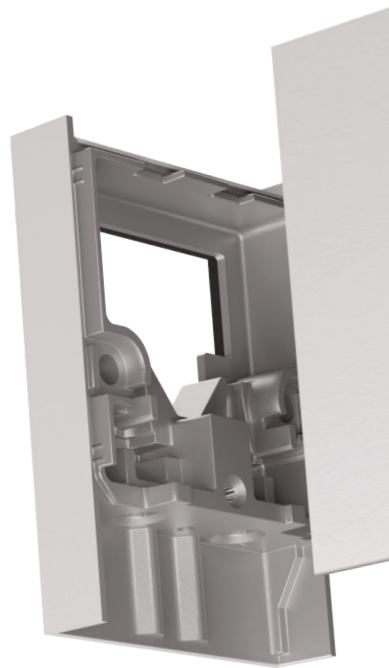
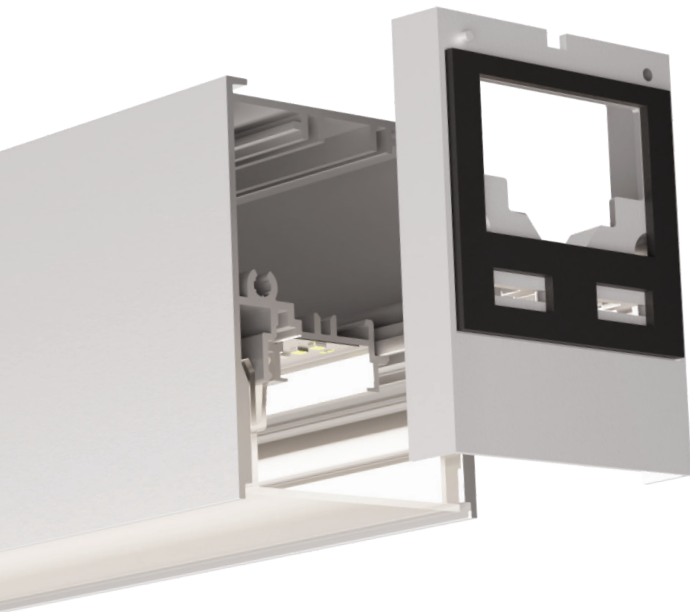


Transportation Projects

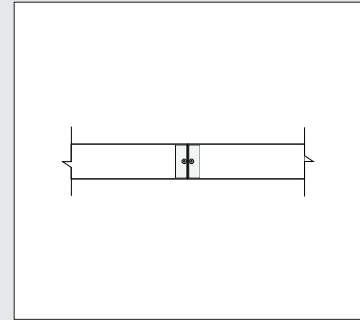
Travelers want to feel safe when on the move, and quality lighting is one way to help. Parking lots, train stations, subway terminals, and other areas where people gather or pass through while on their way somewhere can often be treated as an afterthought when planning lighting. Bring these areas into focus and make them feel safe with Peeta - designed to withstand challenging areas.

Easy to join and create patterns

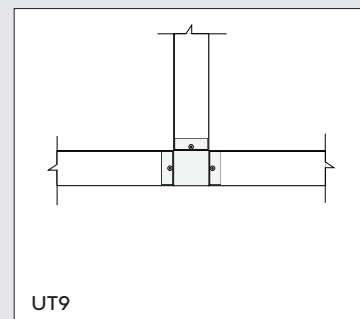
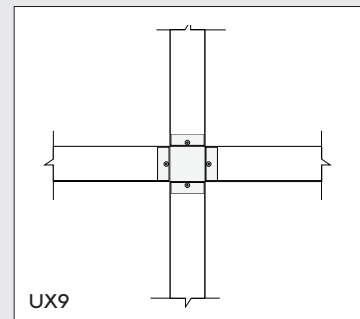
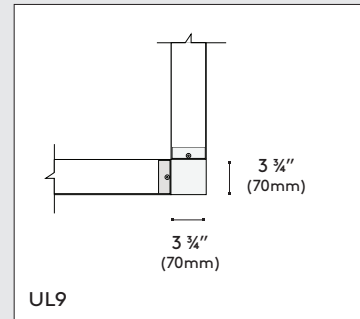
Sometimes you need longer rows of light, or even patterns created by luminaires. The Peeta joining system was designed for ease of install with minimal interruption of light. The joining system maintains the seal and alignment of runs and configurations.

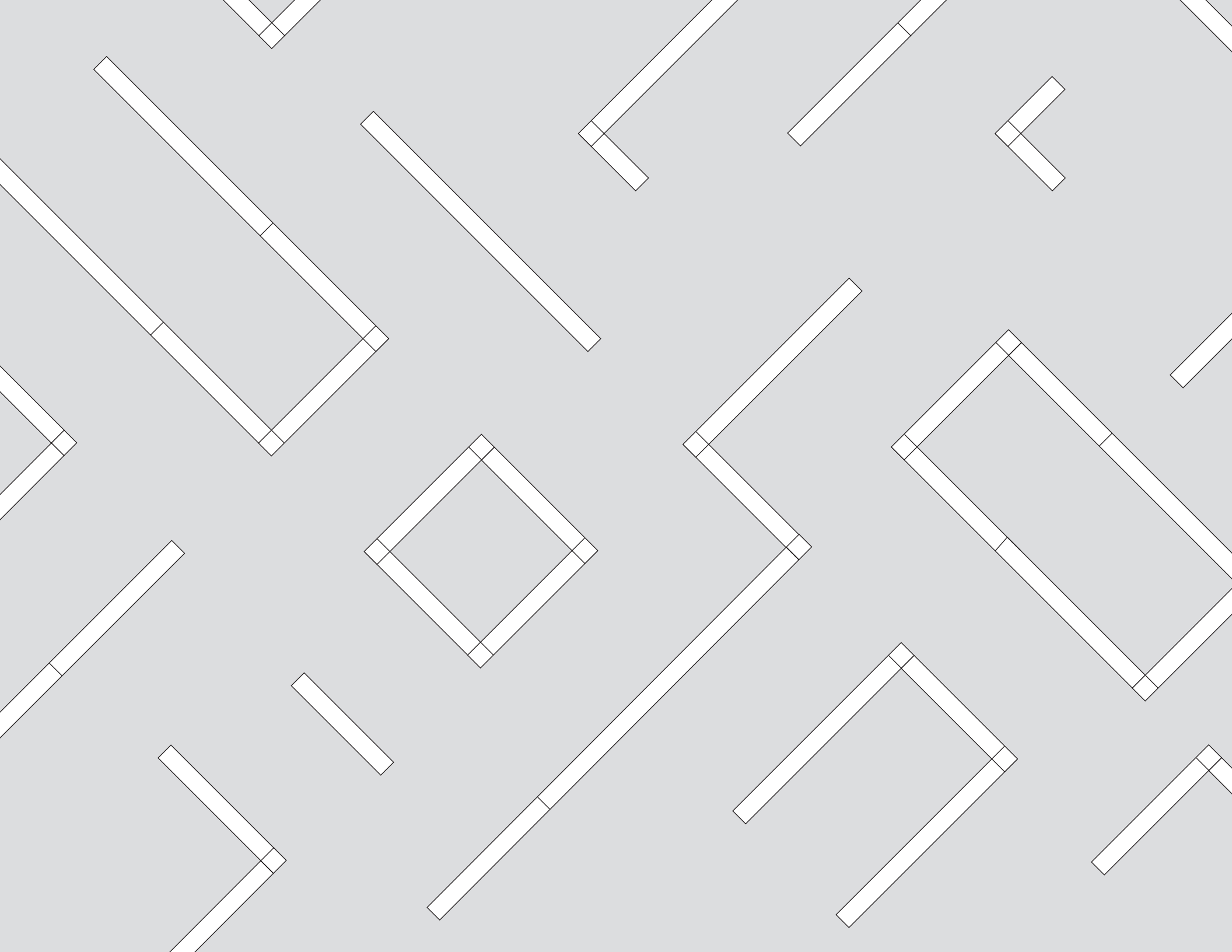


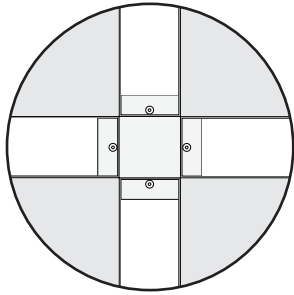
Straight Runs



Corners and Configurations

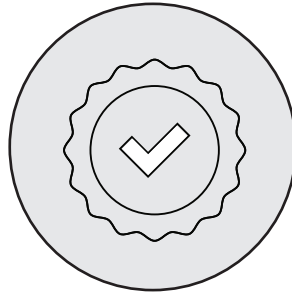






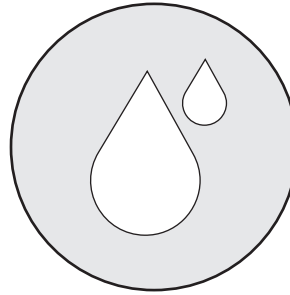
Ease of Joiners

Maintain the sealed luminaire while creating long runs or patterns of light with minimal interruption to the lines of light.



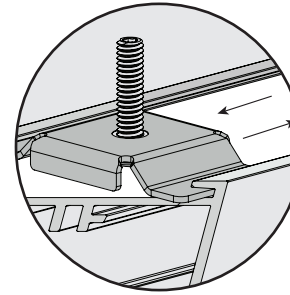
Tested for Endurance

Peeta has achieved several listings and certifications - including BA / BAA / BABAA, Declare, IK10, IP65, 3G - all reinforcing the quality and durability you would expect.



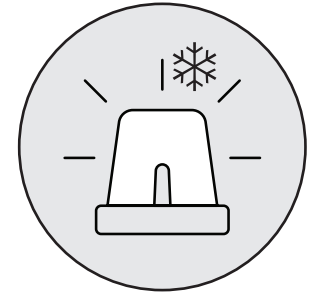
Fully Sealed up to 12'

Keeping water, dust, and insects out of your lights is important to help keep pure lines of light. The tri-extruded lens seals along the length, while the proprietary sealing endcaps keep the fixture enclosed at the ends and joints.



Adjustable Mounting Points

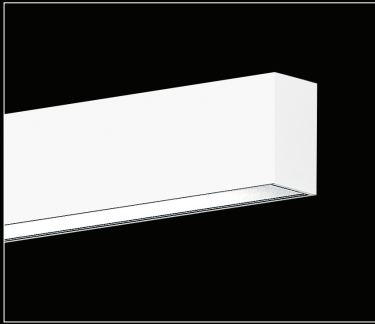
Allowing for movement of the mounting points creates an additional flexibility for Peeta - whether the building features have changed or you need to move mounting points for another reason, this fixture allows for on-site adjustability for mounting.



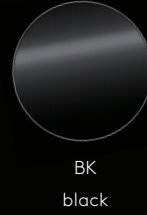
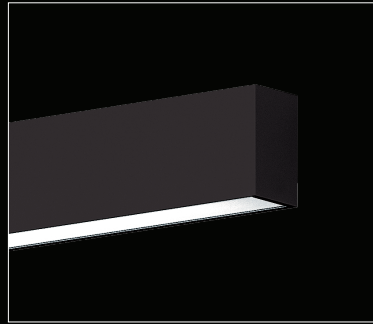
Emergency Lighting even in the cold

Selecting the best option for emergency lighting - emergency circuiting, integral cold weather emergency battery pack, or another custom solution - to provide your project with light even when the power goes out.

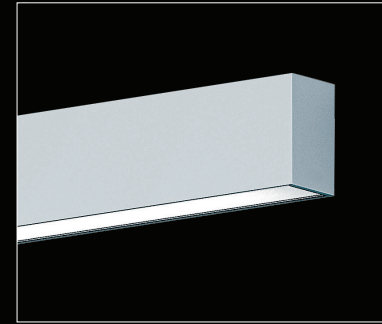
Selux Metal Finishes



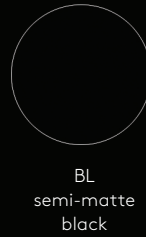
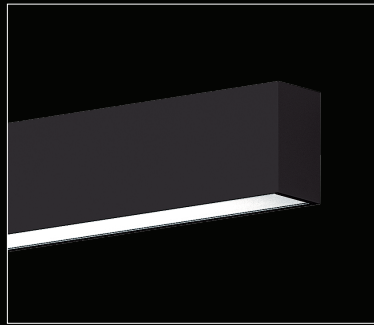
WH
white



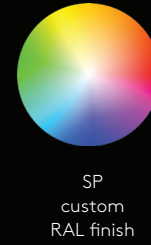
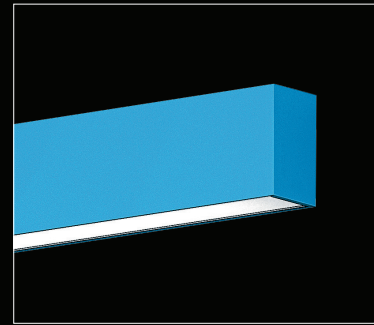
BK
black



SV
silver

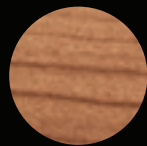


BL
semi-matte
black



SP
custom
RAL finish

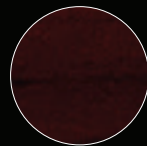
Selux Wood-Look Finishes



CC
cream cherry



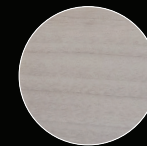
CR
charred
rosewood



RO
red olive



LC
light cherry



WA
weathered
walnut



Peeta

Declare label for our Indoor/Outdoor luminaire

Declare is a platform to share and find healthy building products. Manufacturers willingly disclose product information that can be found on the Declare labels. These labels are then accessible on a free and searchable database used by prominent designers, real estate owners and home owners, to specify products they know they can trust and that meet the requirements of leading green building standards, including Core Green Building, LBC, LEED, and WELL Certification.

Declare has positively changed the materials marketplace to enable the creation of buildings that support human and environmental health and has made it extremely easy to facilitate and simplify the exchange of information.

Selux is also proud to be Living Future Corporate Member. With this credential, Selux is recognized for its proficiency in the world's more ambitious, advanced, and holistic sustainable design standards.

You can trust that with these credentials, Selux and Peeta, is a brand to trust.



Declare.

Peeta
Selux Corporation

Final Assembly: Highland, New York, USA
Life Expectancy: 5+ Year(s)
End of Life Options: Recyclable (90%), Landfill (10%)

Ingredients:

Aluminum; LED Driver; Methyl methacrylate; LED PCB; Aluminum alloy, Al,Zn, dross; Stainless Steel; Stainless Steel; Copper alloy, base, Cu 90-91,Sn 9.2-10; 2,2-Bis(4-hydroxyphenyl)propane polycarbonate SRU; 4,7-Methano-1H-indene, 3a,4,7,7a-tetrahydro-, polymer with ethene and 1-propene; Steel; Siloxane and Silicone, C24-28-alkyl Me, di-Me (mittlere Molmasse ca. 2500 g/mol); Nylon 6

Living Building Challenge Criteria: Compliant

I-13 Red List:

<input checked="" type="checkbox"/> LBC Red List Free	% Disclosed: 100% at 100ppm
<input type="checkbox"/> LBC Red List Approved	VOC Content: Not Applicable
<input type="checkbox"/> Declared	

I-10 Interior Performance: Not Applicable
I-14 Responsible Sourcing: Not Applicable

SLX-0010
EXP. 01 APR 2026
Original Issue Date: 2025

MANUFACTURER RESPONSIBLE FOR LABEL ACCURACY
INTERNATIONAL LIVING FUTURE INSTITUTE™ living-future.org/declare

Publisher

Selux Corporation
5 Lumen Lane
Highland, NY 12528
www.selux.us

Edited by (responsible)

Selux Corporation

Concept and Design

Selux Corporation
www.selux.us

Print

Selux Corporation
5 Lumen Lane
Highland, NY 12528

Selux is a registered trademark of the Selux Corporation.
Errors accepted and subject to change due
to technical modifications. For conditions of sale
and delivery please refer to www.selux.us.

The use of the text and images, even in part, is
in breach of copyright without the consent of
the Selux Corporation and punishable. This also applies to
copies, translations, microfilming and processing
with electronic systems.

03/2025

