



M I  
S T E  
L L A<sup>®</sup>

Application Guide

**selux**

**Mistella®**  
Design and Performance

Cast housing parts made in a thoughtful and elegant way. Mistella® has no visible hardware and is sealed with a clear flat glass



Thanks to the high precision optics, Mistella® generates no disruptive scattered light and consequently protects the night sky from light pollution.

## Product Specifications

<b>Light Engine:</b>	Gen5 Technical or Comfort Optics; 80+ CRI
<b>Output:</b>	Up to 13,033lm; up to 127lm/W
<b>CCT:</b>	2700K, 3000K, 3500K, 4000K, 5000K; 3 Step-Binning
<b>Distributions:</b>	Type I, Type II, Type III, Type III Wide, Type IV, Type V Round, Type V Square, Type V Rectangular, Type V Diffuse Glass (DG), Type V Diffuse Bowl (DB1)
<b>Fixture Options:</b>	Dimming, House Side Shield, Hi-Low Switching, GFCI, Twist Lock Receptacle, Clear Flat Glass Lens, Rotatable Optics, Pole Motion Sensor with Optional Photocell
<b>Mounting:</b>	Pole Mount, single or double

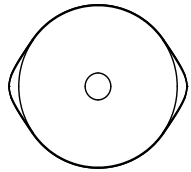


## Simple geometric form

Mistella™ has a simple geometric form that allows it to adapt to either modern or traditional architectural settings. It has everything a designer is looking for - superior photometric performance along with architectural appeal for various lighting applications. Mistella® can be used in urban areas, along paths, walkways, parks, public spaces, or wall mounted on a facade.

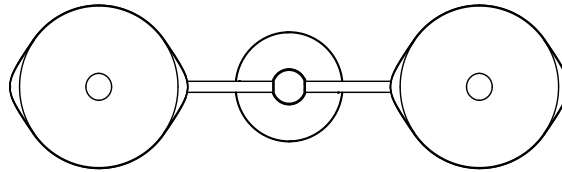


Single (1)



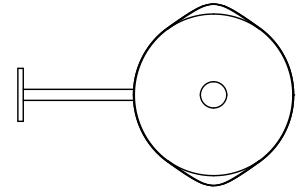
20-<sup>3</sup>/<sub>16</sub>"  
(523mm)

Double Arm Mount (2)

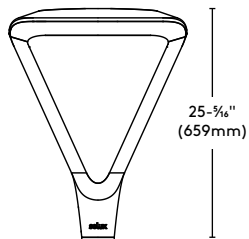


64-<sup>3</sup>/<sub>16</sub>"  
(1640mm)

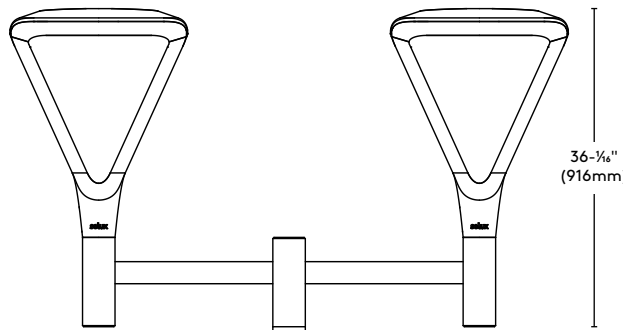
Wall (W)



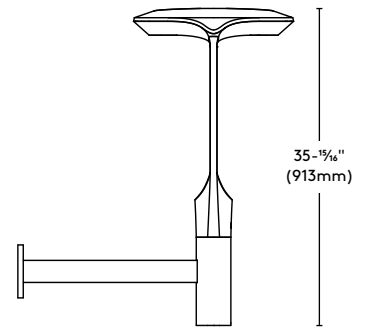
31-<sup>3</sup>/<sub>16</sub>"  
(810mm)



25-<sup>3</sup>/<sub>16</sub>"  
(659mm)

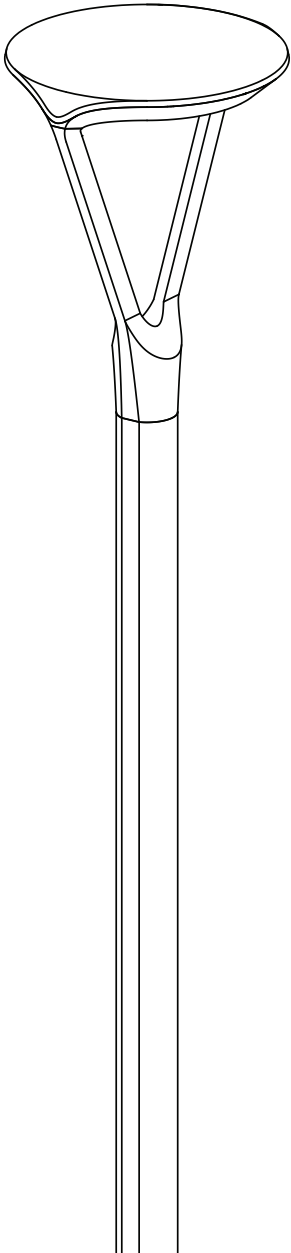


36-<sup>3</sup>/<sub>16</sub>"  
(916mm)



35-<sup>3</sup>/<sub>16</sub>"  
(913mm)

22-<sup>3</sup>/<sub>16</sub>"  
(575mm)



## Fixture Dimensions

Choose from Single (1), Double Arm Mount (2), and Wall (W) mounting arrangements to create a continuous aesthetic throughout the project. Mistella® is designed for 3-½" and 4" round poles with a 3-½" tenon.

## Signature Pole

Mistella® features its own Signature Pole, a 4" round pole with flats on two sides, which continues the design detail from luminaire arms to pole base. Choose this option for the ultimate luminaire and pole assembly.

## State of the art lighting technology, iconic shape

Mistella™ has a flat, disc-shaped luminaire housing held up by two slim, V-shaped arms. Mistella® is a fresh and innovative interpretation of an iconic pole-top luminaire shape. Its clear proportions and fluid transitions illustrate the attention to detail of the Selux designers.





Mistella® with  
Gen5 or Comfort  
DG Optic



Mistella® with  
DB1 Optic





**Gen5 Optic** - The Selux Gen5 lens is an optical advancement that allows for a full range of distributions with excellent visual comfort perfect for any designer needing improved visual guidance and precise placement of light. Unlike other optics, Gen5 is a proprietary design made of silicone, integrated into our existing and new exterior products to expand distribution options, increase lumen output, and provide a visual experience unique to Selux.

By keeping the vertical maximum intensity angle below 69°, Gen5 optics minimize brightness at critical viewing angles. In addition, Gen5 spreads brightness between LEDs which reduces contrast and increases the quality of the visual experience.



**Gen5 Optic with Micro house side shield** - Instead of the typical house side shield that obstructs the look of the luminaire as well as interrupting the flow of a lighting design, Selux has created an exclusive field-installable discrete micro house side shield that clips directly to the lens of the Gen5 optic, blocking light at the source. House side shield is only available with Type I, II, III, and IV.



**Comfort DG Optic** - Mistella® DG optics consist of three main features: a recessed heavy diffuse cylindrical puck that acts as the primary optic, a white spun aluminum corona that surrounds the primary optic and spreads brightness over a larger area, and a flat clear glass that acts as the final piece of the DG optical system. Since all optical components are recessed, the DG optics are IDA Dark Sky friendly when used with CCTs of 3000K or warmer. The BUG upright rating is always U0 and the glare rating is maintained at G1 for all wattage levels. The unique characteristic of the DG optic is the ability to have visually comfortable diffuse lighting with no upright.

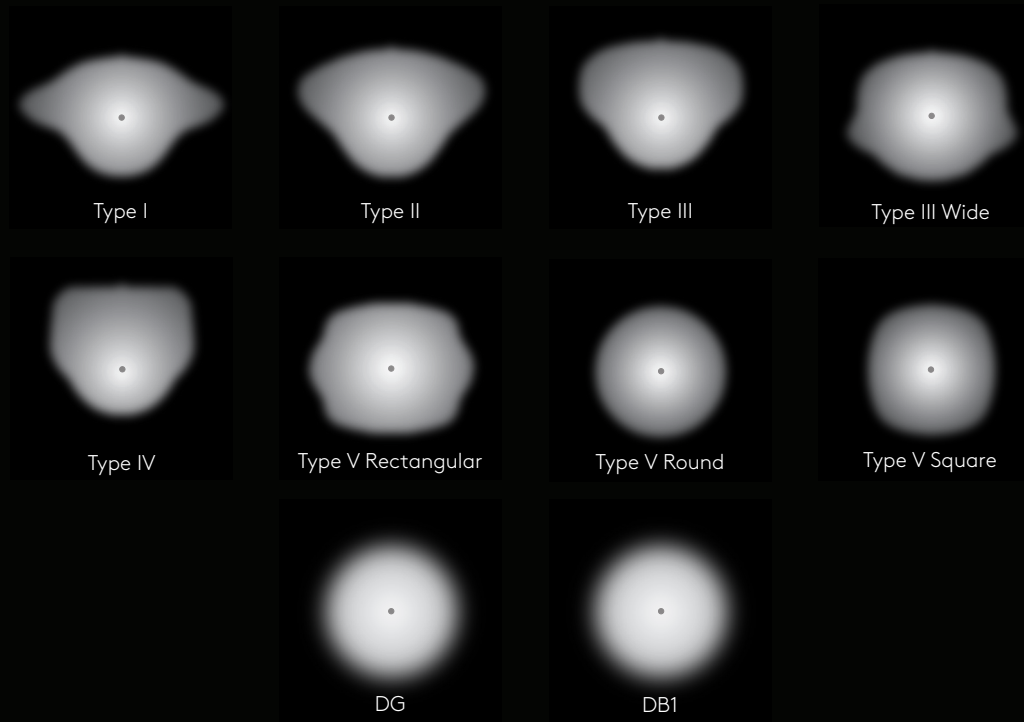


**DB1 Optic** - With a heavy diffuse bowl-shaped lens, the DB1 optic for Mistella® provides the highest level of visual comfort of all the Mistella optical options. The low vertical maximum intensity angle of 22.5° creates a BUG glare rating between G1 and G2 depending on the light engine wattage. The DB1 optic provides ambient lighting when seeing individual LEDs is undesirable. This optic is ideal for applications involving pedestrian use, intimate spaces using low mounting heights, and projects looking for lighting with a softer feel.

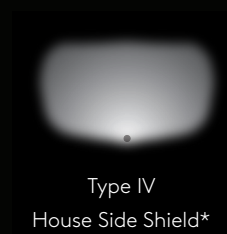
## Contemporary architectural post top with clean, flowing lines and a modest sophistication

Optically, Mistella® can meet the demands of today's lighting designers, architects, and engineers with two diffuse lens or bowl options or Gen5 optical system for soft or defined lighting effects. The scale of the fixture and lumen packages up to 12,000 lumens is appropriate for mounting heights of 8 to 18 feet above grade.

## Standard Distributions



## House Side Shield Distribution



\* Type IV with House Side Shield shown as reference. House Side Shield available with Type I, Type II, Type III, and Type IV distributions only.



## Dark Sky

Mistella® has zero uplight with Gen5 and DG light engines. This preserves the night sky by eliminating light pollution.





**Providing a sense of security  
with a cohesive look**

Use Mistella® to increase security in suburban neighborhoods while promoting people to meet and build community.



**Sophisticated for Urban Spaces**

The sleek exterior luminaire designed to blend in with traditional or modern architecture. Mistella® is ideal for lighting roads and footpaths, as well as low traffic zones, public spaces, parks and other green spaces. Mistella® blends harmoniously into modern environments. Use the single or double post top to line the pathway or mount the wall mount on the side of a building. Mistella® can meet the demands and bring a cohesive design.





## Selux Metal Finishes

Tiger Drylac powder-coated finishes are available in standard Selux exterior finishes, plus custom colors are available.

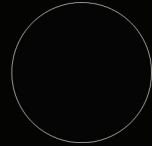
WH - White



BK - Black



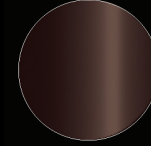
BL - Semi-Matte Black



SV - Silver



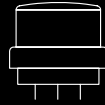
BZ - Bronze



SP - Premium Color







## Photocell

The twist-lock photocell conserves energy and improves safety and security by automatically turning lights on when it gets dark. It also saves on energy by turning off at dawn when extra light is unnecessary.



## USB & Duplex Receptacle

The outdoor GFCI receptacle with USB charging port is intended for portable tools and equipment when attended by personnel. The USB charging port allows convenient charging of smart phones or other low voltage electronics.



## GFCI

The outdoor GFCI receptacle is intended for portable tools and equipment when attended by personnel. The GFCI duplex receptacle is weatherproof with its self-closing cover - for use with or without padlock.



## Motion Sensor

Allowing the light to be controlled by a motion sensor cuts down on the amount of wasted electricity. With a motion sensor, the lights will only be on when someone is using the area. This makes sound economic sense, and is more environmentally friendly.



Project: Alvarado Building Bernalillo County Photographer: Dekker Perich Sabatini



Project: Alvarado Building Bernalillo County Photographer: Dekker Perich Sabatini

**Publisher**

Selux Corporation  
5 Lumen Lane  
Highland, NY 12528  
[www.selux.us](http://www.selux.us)

**Edited by (responsible)**

Selux Corporation

**Concept and Design**

Selux Corporation  
[www.selux.us](http://www.selux.us)

**Print**

Selux Corporation  
5 Lumen Lane  
Highland, NY 12528

Selux is a registered trademark of the Selux Corporation.  
Errors accepted and subject to change due  
to technical modifications. For conditions of sale  
and delivery please refer to [www.selux.us](http://www.selux.us).

The use of the text and images, even in part, is  
in breach of copyright without the consent of  
the Selux Corporation and punishable. This also applies to  
copies, translations, microfilming and processing  
with electronic systems.

08/2022