

Discera

Application Guide



selux

Product Specifications

Light Engine:	Gen5; 80+ CRI
Output:	Up to 14,700lm; up to 120lm/W
CCT:	2700K, 3000K, 4000K; 3 Step-Binning
Distributions:	Type I, Type II, Type III, Type III Wide, Type IV, Type V Round, Type V Diffuse Glass (DG)
Fixture Options:	Dimming, House Side Shield, Hi-Low Switching, 7-Pin NEMA Socket, Twist Lock Photocell, GFCI, Bird Spikes, Motion Sensor
Mounting:	Catenary, Pole, and Wall



Discera, offered as a family of luminaires, is a sleek LED fixture perfect for any designer needing improved visual guidance and precise placement of light. Discera allows you to put the light where it is needed while maintaining a contemporary and modern aesthetic. This can be achieved through catenary, pole mount, or wall mount.

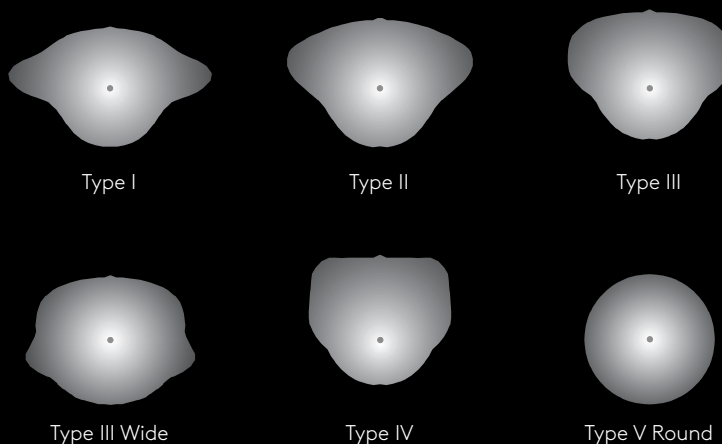


Gen5 Technology

The Selux Gen5 lens is an optical advancement that allows for a full range of distributions with excellent visual comfort. Unlike other optics, Gen5 is a proprietary design made of silicone, integrated into our existing and new exterior products to expand distribution options, increase lumen output, and provide a visual experience unique to Selux.

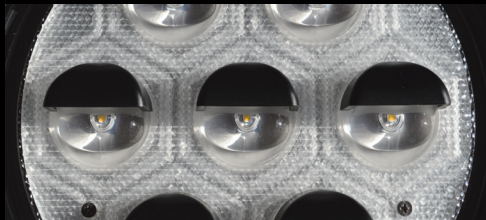
By keeping the vertical maximum intensity angle below 69° , Gen5 optics minimize brightness at critical viewing angles. In addition, Gen5 spreads brightness between LEDs which reduces contrast and increases the quality of the visual experience.

Standard Distributions



Micro House Side Shield

Instead of the typical house side shield that obstructs the look of the luminaire as well as interrupting the flow of a lighting design, Selux has created an exclusive field-installable discrete micro house side shield that clips directly to the lens, blocking light at the source.



House Side Shield



Type IV
House Side Shield

Type IV house side shield distribution shown as example. House side shields may be used with other distributions.

*Not available with Type III Wide or Type V distributions.

Comfort Optics using the DG Option

Discera DG optics consist of three main features: a recessed heavy diffuse cylindrical puck that acts as the primary optic, a white spun aluminum corona that surrounds the primary optics and spreads brightness over a larger area, and a flat clear glass that acts as the final piece of the DG optical system. Since all optical components are recessed, the DG optics are IDA Dark Sky friendly when used with CCTs of 3000K or less. The BUG uplight rating is always U0 and the glare rating is maintained at G1 for all wattage levels. The unique characteristic of the DG optic is the ability to have visually comfortable diffuse lighting with no uplight.

Dreampark, Seoul, Korea





Ithaca Commons, Ithaca, New York

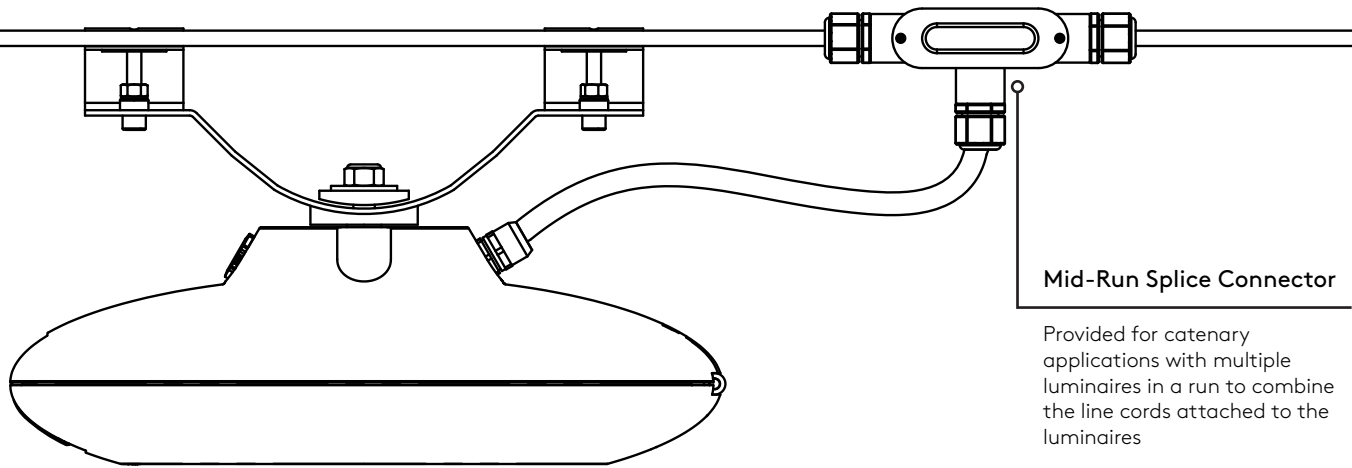
Catenary Systems

Catenary lighting empowers you with endless design possibilities. Suspending luminaires from cables allows light to be focused where it is needed, leaving other places in shadow, creating a beautiful and dramatic effect. It can also guide pedestrians, providing a sense of safety and security. Selux will work with you to engineer an elegant and unique solution for your project.

Refer to the Catenary Design Guide when specifying your project-specific catenary system.



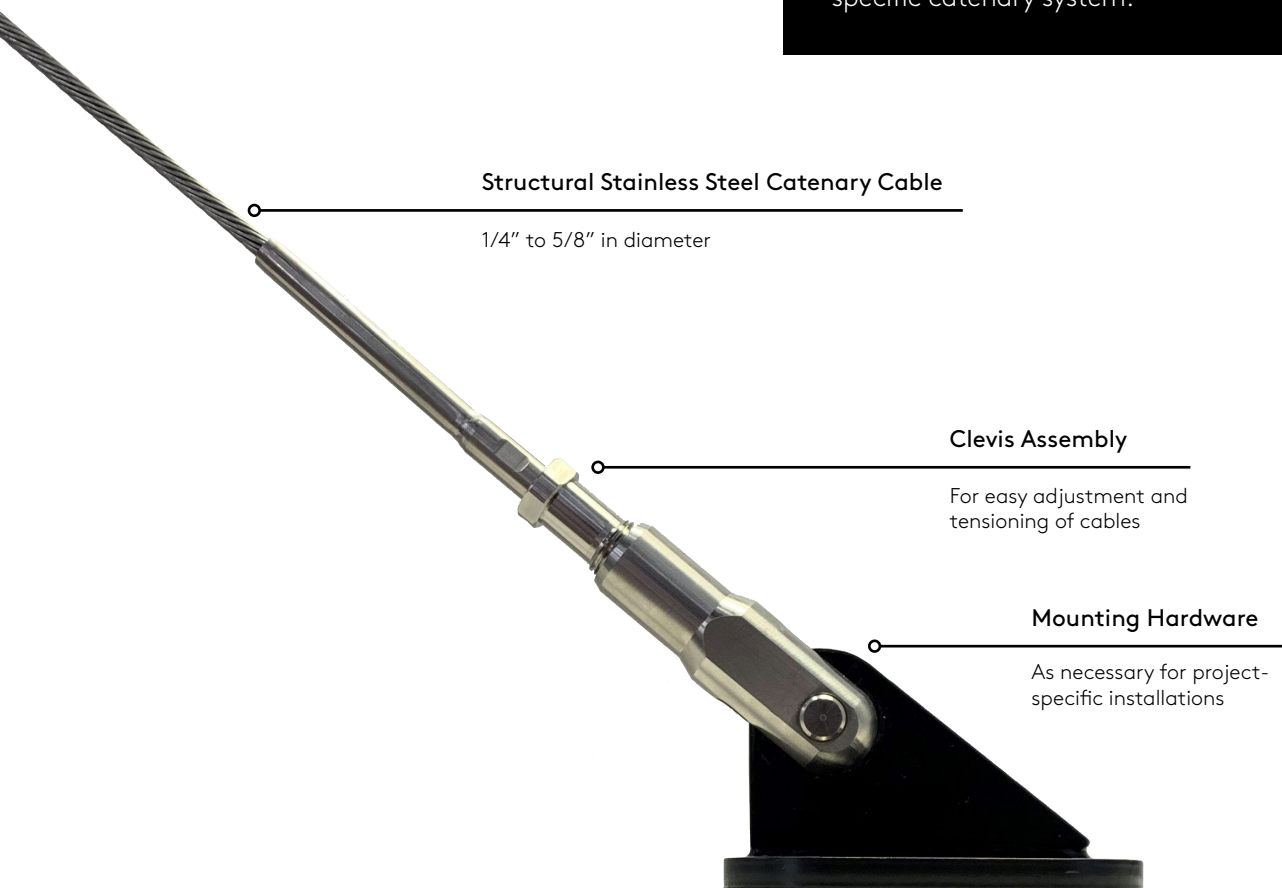
Catenary System Design



Catenary System Design

Catenary suspended luminaires require additional materials for proper installation of the lighting system. These additional materials include catenary cable for luminaire suspension and fittings for attachment to the building structure or structural masts/poles and cable ends. Stainless steel is recommended for its strength, long life, aesthetic appearance, and resistance to corrosion.

Refer to the Catenary Design Guide for your project-specific catenary system.



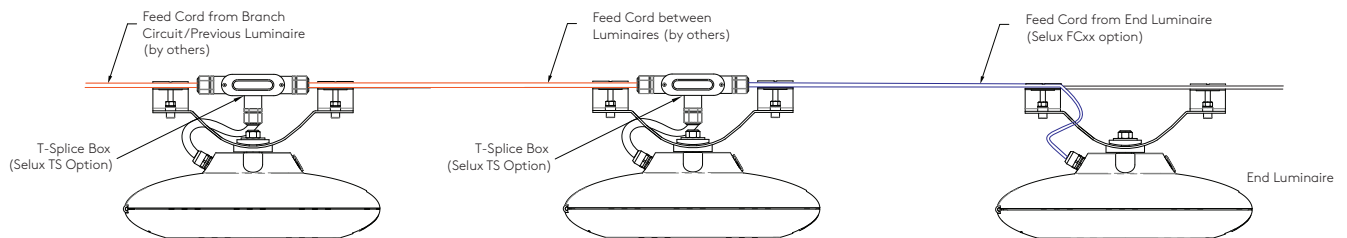
Wiring Scenarios

Our catenary system allows you to span the Discera over large areas, creating a visually open and dramatic lighting effect. Lighting from a catenary system can join multiple places together, producing one cohesive environment whether it is between building façades or standalone poles.

Below are various wiring scenarios that can be achieved for your project-specific needs. Refer to the product specification sheet or the Catenary Design Guide for more information.

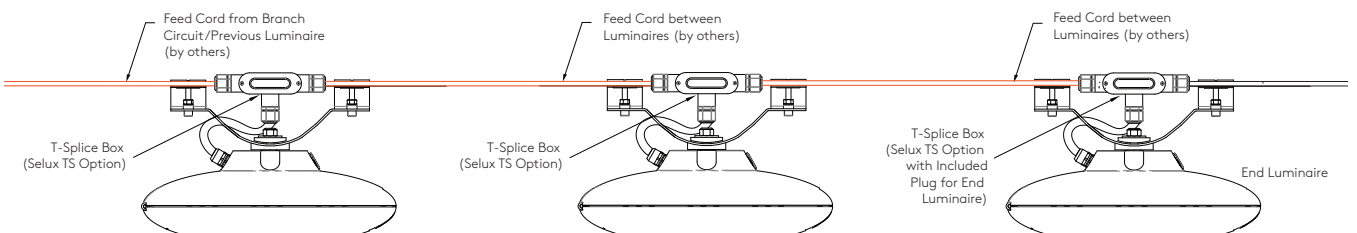
Feed Cord Detail - Scenario 1

(TS) T-Splice box for mid-run luminaires and (FCxx) Feed Cord without splice box option for end luminaire



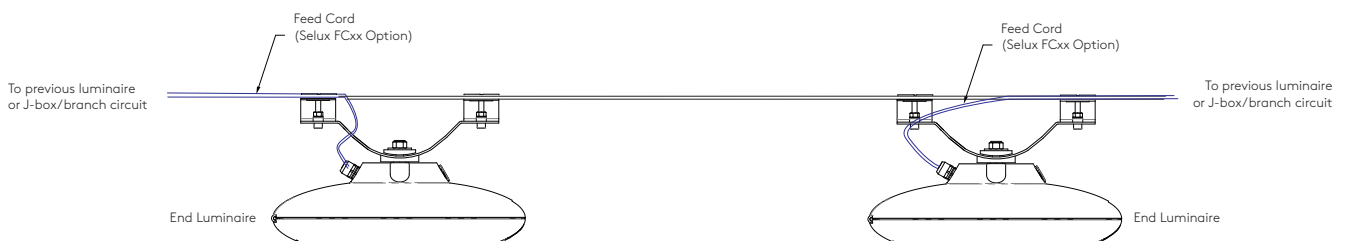
Feed Cord Detail - Scenario 2

(TS) T-Splice box for all luminaires



Feed Cord Detail - Scenario 3

(FCxx) Feed Cord without splice box for all luminaires



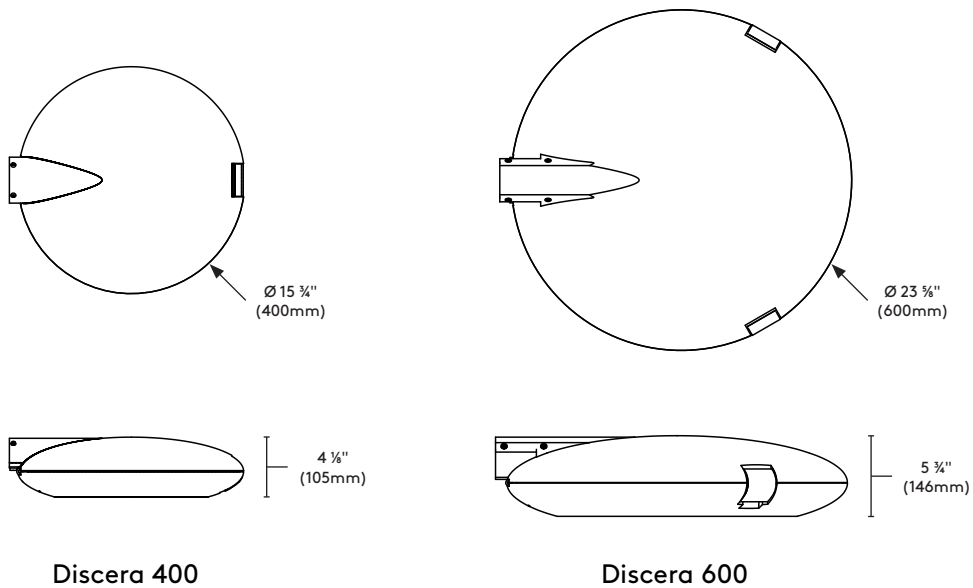


Ithaca Commons, Ithaca, New York



Fixture Dimensions

Discera is offered in two sizes in order to provide the appropriate scale and lumen output for the project.



Create Visually Appealing Environments

The design of intimate spaces with high pedestrian traffic requires a different lighting approach compared to the typical roadway and parking lot projects. The recessed optics in the Discera shield the light source for more comfortable viewing. Having the choice of housing size, distribution, and output level allows the luminaire to be applied in a very tailored way.

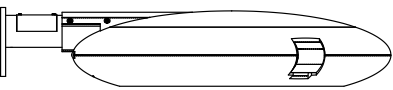


Ridgeview Hall - SUNY New Paltz, New Paltz, New York
Photo courtesy of James Brigagliano

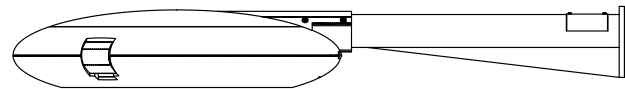


Discera Arms

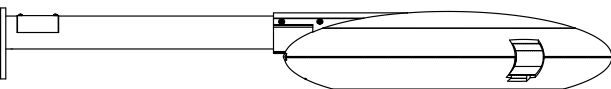
Discera is offered with a variety of arm styles for wall, single post top, or double post top configurations.



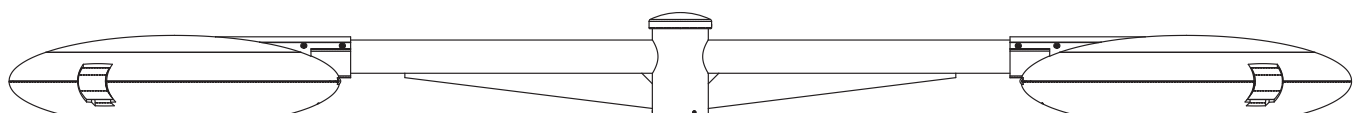
Short Arm



Long Arm with Gusset



Long Arm



Double Long Arm with Gusset

Discera 600 shown for reference and scale



Morongo Casino Resort & Spa, Cabazon, CA
Photo courtesy of Kimberly Venardos

Publisher

Selux Corporation
5 Lumen Lane
Highland, NY 12528
www.selux.us

Edited by (responsible)

Selux Corporation

Concept and Design

Selux Corporation
www.selux.us

Print

Selux Corporation
5 Lumen Lane
Highland, NY 12528

Selux is a registered trademark of the Selux Corporation.
Errors accepted and subject to change due
to technical modifications. For conditions of sale
and delivery please refer to www.selux.us.

The use of the text and images, even in part, is
in breach of copyright without the consent of
the Selux Corporation and punishable. This also applies to
copies, translations, microfilming and processing
with electronic systems.

04/2021