

Date: _____ Customer: _____

Project: _____

Type: _____ Qty: _____



Avanza 450



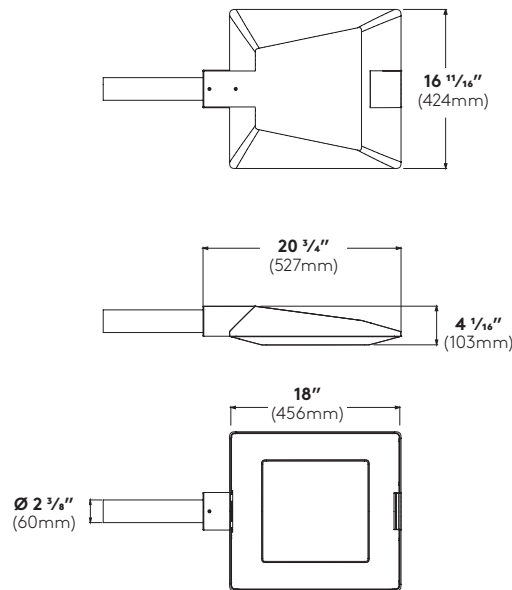
Fixture Order Code: AV4 - - - - -

Pole Order Code: _____
 Series Height Finish Options

AV4	Series	AV4 Avanza 450										
	Optics	R3W Type III Distribution Wide	R3N Type III Distribution Narrow	R5 Type V Distribution								
	Mounting	S1 Single Short Arm	S2 Double Short Arm (180°)	L1 Single Long Arm	L2 Double Long Arm (180°)	SW Short Arm Wall	LW Long Arm Wall	LGW Long Arm Wall with Gusset	LG1 Single Long Arm with Gusset	LG2 Double Long Arm with Gusset (180°)		
	Light Engine	L700 36W/3,866lm	L105 54W/5,332lm									
	CCT	27 ^{1,2} 2700K	30 ² 3000K	35 ¹ 3500K	40 4000K	50 ¹ 5000K					¹ Consult factory. ² DarkSky approved with 2700K and 3000K CCT.	
	Power Cord Length	12 12'	15 15'	18 18'	20 20'	25 25'	XX ³ XX'				³ Add length of arm and height of pole to determine power cord length.	
	Finish	WH White	BK Black	BL Semi-Matte Black	BZ Bronze	SV Silver	SP Specify Premium Color					
	Voltage	UNV 120-277V	120 ⁴ 120V	208 208V	240 ⁴ 240V	277 ⁴ 277V	347 ⁵ 347V	480 ⁵ 480V				⁴ Specify 120V, 240V, 277V for HL option. ⁵ Equipped with step-down transformer.
	Options	DM ⁷ Dimming (0-10V)	HL30 ^{6,7,9} Hi-Lo Switching Low Output 30%	HL50 ^{6,7,9} Hi-Lo Switching Low Output 50%	TLR ^{7,8} 7-pin NEMA socket with shorting cap	TLRP ^{7,8} Twist Lock Receptacle 3-Pin with Photocell	MS ^{7,8} Motion Sensor with Optional Photocell (meets title 24 requirements) See page 8 for Order Code				⁶ 120V, 240V, 277V only. ⁷ DM, HL30, HL50, TLR, TLRP, or MS only. Cannot be combined. ⁸ Not available with SW, LW, LGW mounting. ⁹ L105 Light Engine only.	



AV4



Specifications

Fixture Housing - Made from high pressure die cast, low copper aluminum alloy.

Gasketing - Continuous molded silicone gasket provides weatherproofing, dust and insect control at all luminaire connections.

Fitter - Part of upper aluminum housing for direct connection to standard Ø2 3/8" (60mm) short and long arms, as well as specially designed die cast pole adapter.

LED Array - LEDs mounted to PC boards and directly attached to upper aluminum housing for maximum LED performance and life. For future upgrades, light engine can be removed without tools.

LED Optics - High precision injection molded cross beam technology reflectors are vacuum metalized. IDA approved "Dark Sky Friendly" with 2700K or 3000K CCT.

LED Driver - LEDs are driven by RoHS compliant high-efficiency driver. Minimum starting temperature is -40°C (-40°F)

Mounting Arm - Welded steel with powder coat finish. To fit Ø3.5" Tenon.

Pole Adapter - Made from high pressure die cast, low copper aluminum alloy. To fit Ø3.5" Tenon.

Glass Lens - Tempered and screened glass lens protects and helps seal optical chamber.

Toolless Latch - Toolless die cast aluminum latch for easy access to light engine.

Access Door - Lower casting features tempered glass lens and a built-in hinge that attaches to upper casting on mounting arm side. Other side is secured with toolless latch for ease of maintenance.

Surge Protection - Designed to protect luminaire from electrical surge (20kA).

Internal Step-down Transformer - Step-down Transformer for 347V and 480V.

Exterior Luminaire Finish - Selux utilizes a high quality Polyester Powder Coating. All Selux luminaires and poles are finished in our Tiger Drylac certified facility and undergo a five stage intensive pretreatment process where product is thoroughly cleaned, phosphated, and sealed. Selux powder coated products provide excellent salt and humidity resistance as well as ultra violet resistance for color retention. All products are tested in accordance with test specifications for coatings from ASTM and PCI.

Standard exterior colors are White (WH), Black (BK), Bronze (BZ), and Silver (SV). Selux premium colors (SP) are available, please specify from your Selux color selection guide.

5 Year Limited LED Luminaire Warranty

Selux offers a 5 Year Limited Warranty to the original purchaser that the Selux Avanza LED luminaire shall be free from defects in material and workmanship for up to five (5) years from date of shipment. This limited warranty covers the fixture, LED driver and LED light engine when installed and operated according to Selux instructions. Fixture suitable for ambient temperatures of 40°C (104°F). For details and exclusions, see "Selux Terms and Condition of Sale."

Listings and Ratings: Luminaire tested to IESNA LM-79-08 and LED tested to LM-80 test standards at 25°C ambient temperature.

Visit selux.us for our LED End of Life recycling policy.

For Buy American compliance on poles, please consult the factory.

Mounting

SW Short Arm Wall

EPA = 0.6ft² (0.06m²)

Weight = 17.2 lbs. (7.8kg)

S1 Single Short Arm

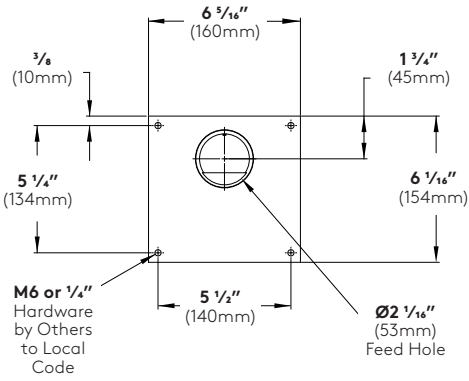
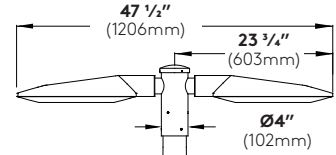
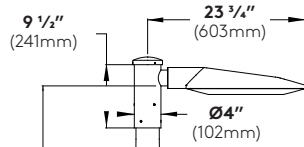
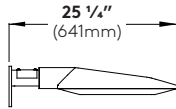
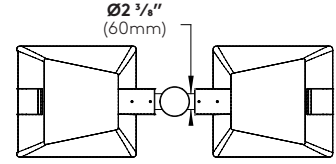
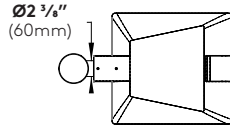
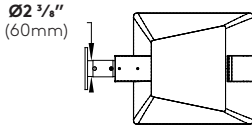
EPA = 0.7ft² (0.07m²)

Weight = 17.2 lbs. (7.8kg)

S2 Double Short Arm

EPA = 1.3ft² (0.12m²)

Weight = 34.4 lbs. (15.6kg)



12'
(3658mm)
Pole Height

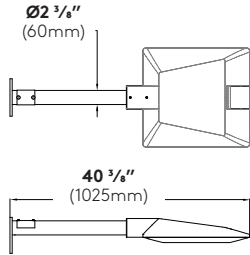
Ø5"
(127mm)

Mounting

LW Long Arm Wall

EPA = 0.8ft² (0.08m²)

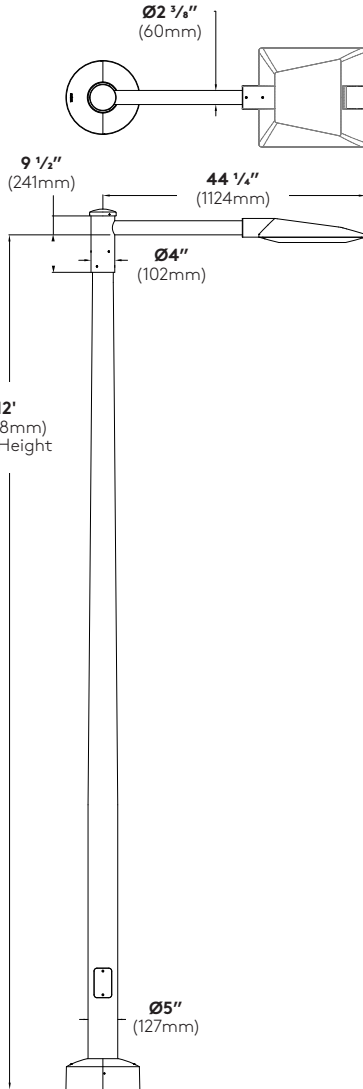
Weight = 18.8 lbs. (8.6kg)



L1 Single Long Arm

EPA = 0.9ft² (0.8m²)

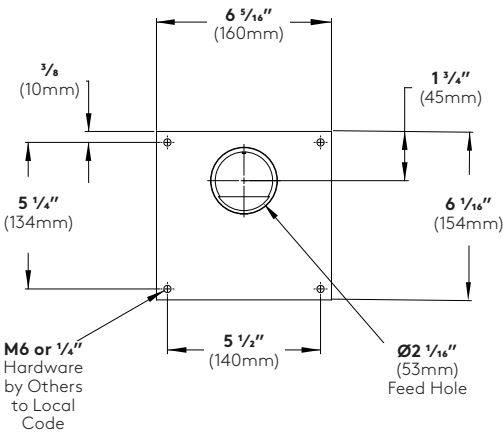
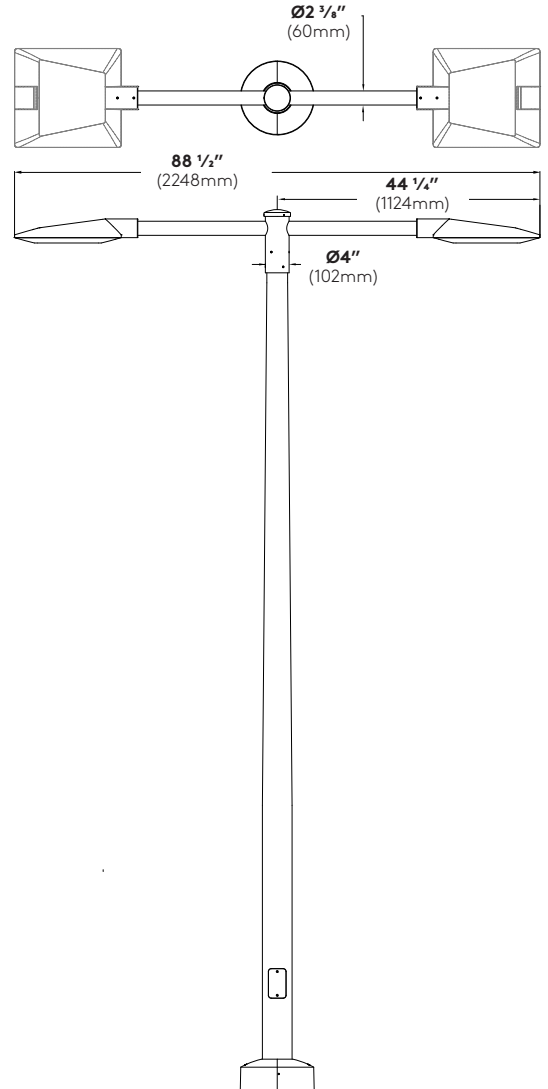
Weight = 28.2 lbs. (12.8kg)



L2 Double Long Arm

EPA = 1.6ft² (0.15m²)

Weight = 55.1 lbs. (25kg)

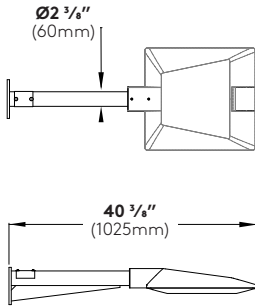


M6 or 1/4\"/>

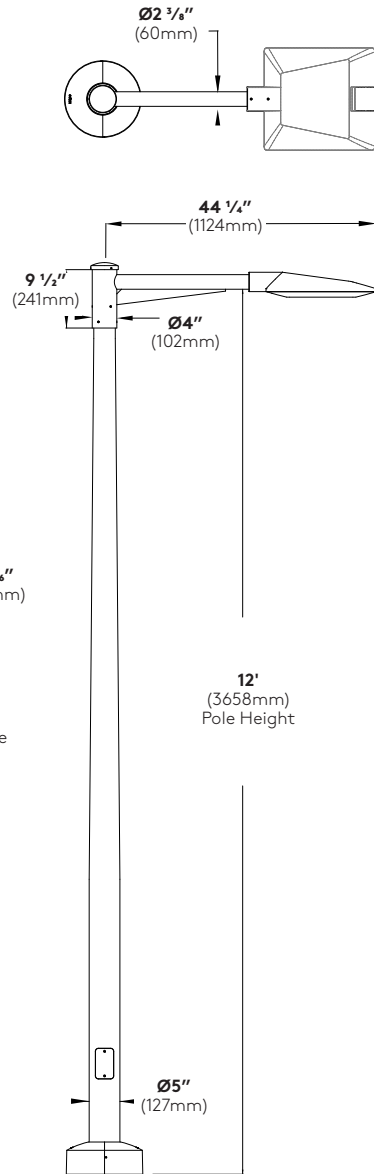
Ø2 1/16\"/>

Mounting

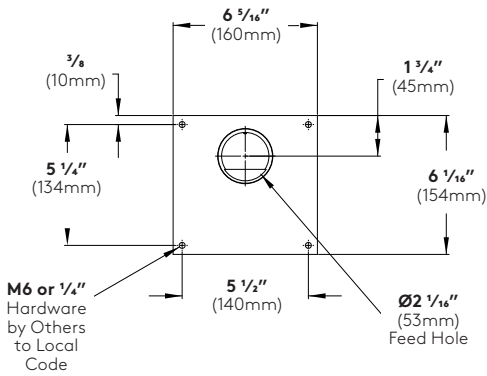
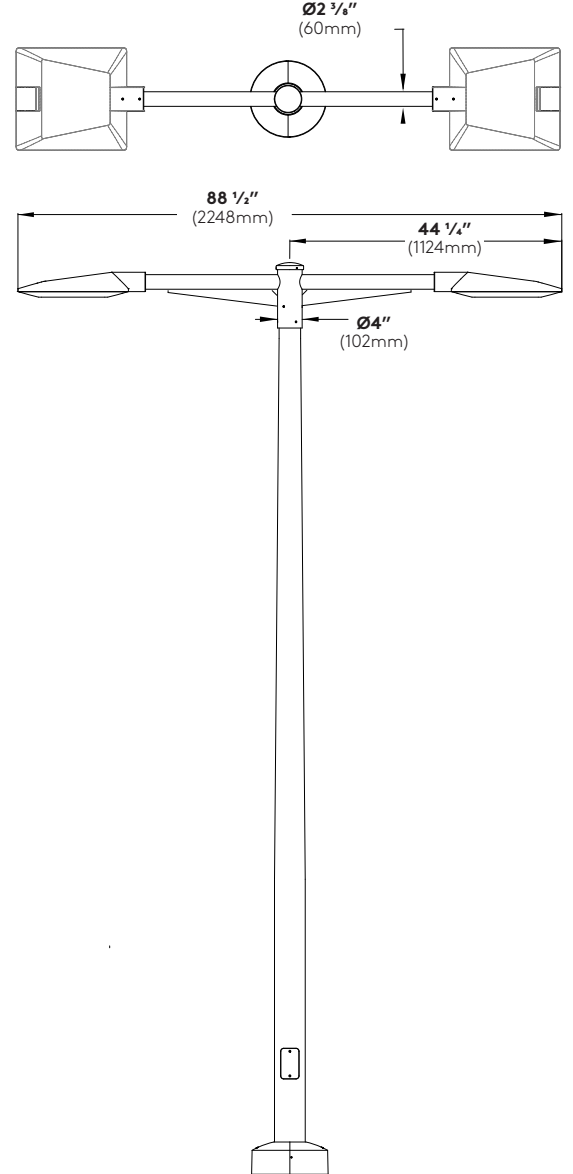
LGW Long Arm Wall
 EPA = 1.0ft² (0.09m²)
 Weight = 19.8 lbs. (9.0kg)



LG1 Single Long Arm with Gusset
 EPA = 1.1ft² (0.10m²)
 Weight = 29.2 lbs (13.3kg)



LG2 Double Long Arm with Gusset
 EPA = 2.0ft² (0.19m²)
 Weight = 57.1 lbs (25.9kg)

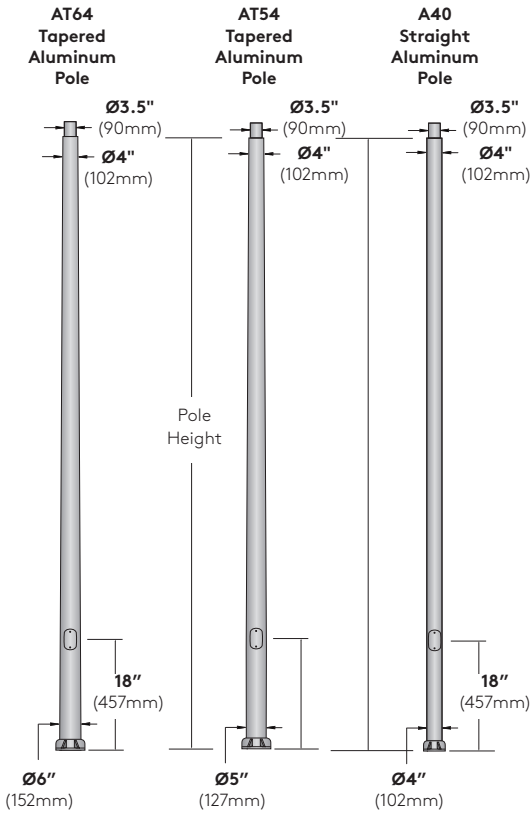


Pole Information

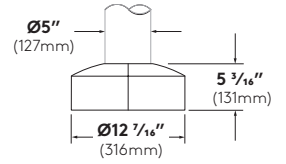
Refer to pole specification sheets for construction details, anchorage information and additional options.

Optional Base Covers for Poles

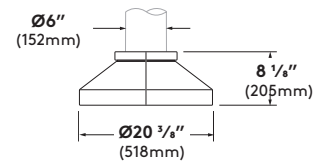
Die cast aluminum, two piece field installable base covers.



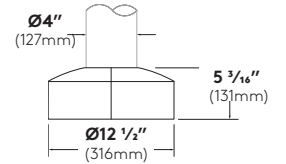
BC3 Optional Base Cover (AT54)



BC9 Optional Base Cover (AT64)



BC13 Optional Base Cover (AT40)



Pole Data Chart

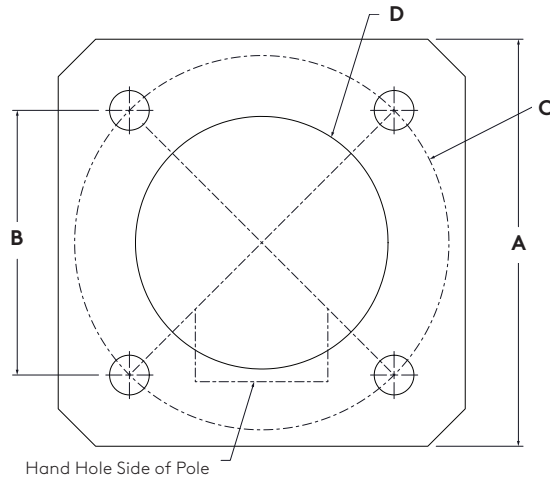
Pole Series	Bolt Circle	Wall (in)	Max Luminaire Weight (lbs)	EPA Information (ft ²)										Height	Finish	Options	
				Wind Speed (mph)													
				85	90	100	110	120	130	140	150	160	170				180
AT40-188 4" Round Straight Aluminum Pole	7 1/2"	0.188	100	10.7	9.3	7.2	5.6	4.5	3.7	3.1	2.7	2.3	2.0	1.7	12 12 ft	WH White	BC3 Die Cast Base Cover (AT54 pole only)
AT54-156 5"-4" Round Tapered Aluminum Pole	8 5/8"	0.156	75	15.1	13.3	10.4	8.4	6.9	5.8	4.9	4.2	3.6	3.2	2.8		BK Black	BC9 Die Cast Base Cover (AT64 pole only)
AT64-156 6"-4" Round Tapered Aluminum Pole	9 1/2"	0.156	100	22.9	20.3	16.1	13.1	10.9	9.2	7.9	6.8	5.9	5.2	4.5		BL Semi-Matte Black	BC13 Die Cast Base Cover (AT40 pole only)
AT40-250 4" Rounds Straight Aluminum Pole	7 1/2"	0.250	100	11.8	10.3	7.9	6.1	4.9	4.0	3.4	2.9	2.5	2.1	1.8	14 14 ft	BZ Bronze	REC GFCI Receptacle with weatherproof cover*
AT54-156 5"-4" Round Tapered Aluminum Pole	8 5/8"	0.156	75	12.7	11.0	8.5	6.8	5.5	4.6	3.9	3.3	2.8	2.4	2.1		SV Silver	REC2 GFCI Receptacle with padlockable in-use cover
AT64-156 6"-4" Round Tapered Aluminum Pole	9 1/2"	0.156	100	19.5	17.2	13.6	11.0	9.1	7.6	6.5	5.6	4.8	4.2	3.7		SP Specify Premium Color	REC3 USB & Duplex Receptacle with weatherproof cover
AT40-250 4" Rounds Straight Aluminum Pole	7 1/2"	0.250	100	9.6	8.3	6.2	4.7	3.6	3.0	2.5	2.1	1.7	1.5	1.2	16 16 ft		REC4 USB & Duplex Receptacle with weatherproof padlockable in-use cover
AT54-156 5"-4" Round Tapered Aluminum Pole	8 5/8"	0.156	75	10.4	9.0	6.8	5.3	4.2	3.5	2.9	2.4	2.1	1.8	1.5			T35 3.5" Tenon (Required for Avanza)
AT64-156 6"-4" Round Tapered Aluminum Pole	9 1/2"	0.156	100	16.3	14.3	11.2	9.0	7.4	6.2	5.2	4.4	3.8	3.3	2.9			*Weatherproof cover intended for portable tools or other portable equipment connected to the outlet only when attended. For other requirements please consult factory.

Notes:

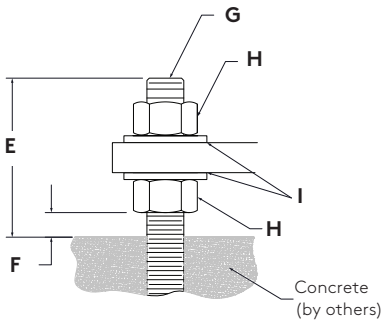
1. Maximum EPA ratings certified in accordance with AASHTO 2013 (LTS-6-13) for 3-s gust wind speeds based on Allowable Stress Design (ASD) analysis.
2. Consult factory for equivalent Load and Resistance Factor Design (LRFD) wind speeds.
3. Rated performance is dependant upon the pole being properly attached to a supporting foundation of adequate design at ground level.

Pole Information

Refer to pole specification sheets for construction details, anchorage information and additional options.



Aluminum Tapered Pole Bolt Circle Info	A Base Plate SQ	B Bolt Spacing SQ	C Bolt Circle Ø	D Conduit Opening Ø
A40 4" Diameter Straight Aluminum Pole	8 15/16" (226mm)	5 5/16" (135mm)	7 1/2" (191mm)	3 3/4" (95mm)
AT54 5" to 4" Diameter Tapered Aluminum Pole	9 5/8" (244mm)	6 1/8" (155mm)	8 5/8" (219mm)	4 5/8" (117mm)
AT64 6" to 4" Diameter Tapered Aluminum Pole	10 5/8" (262mm)	6 3/4" (171mm)	9 1/2" (241mm)	5 1/2" (139mm)



Use caution when setting anchor bolts. Bolts must be vertically straight and centered on dimensions shown. Concrete footing and feed conduit to be designed and installed by others. Individual 1:1 scale drawings for installation available, please consult factory

All Hardware is Galvanized

Aluminum Tapered Pole Bolt Circle Info	E Bolt Projection	F For Leveling	G Anchor Bolt	H Heavy hex Nut	I Flat Washer
A40 4" Diameter Straight Aluminum Pole	3 1/4" (83mm)	1/2" (13mm)	3/4"-10 UNC x 17"	3/4"-10 UNC	3/4" ID
AT54 5" to 4" Diameter Tapered Aluminum Pole	3 1/4" (83mm)	1/2" (13mm)	3/4"-10 UNC x 17"	3/4"-10 UNC	3/4" ID
AT64 6" to 4" Diameter Tapered Aluminum Pole	3 1/2" (85mm)	1/2" (13mm)	3/4"-10 UNC x 17"	3/4"-10 UNC	3/4" ID

Round Pole Motion Sensor

The Selux outdoor rated sensor incorporates Passive Infrared (PIR) Technology for motion sensing and also includes built-in photocell. Sensor comes pre-installed in cast aluminum housing painted to match pole finish.

Series	Hand Hole Orientation	Dim Level	Photocell Feature	Voltage
MS Motion Sensor	00 0° Clockwise from Hand Hole	D0 (Off)	Y Yes	UNV (100-347VAC single phase or 208/230/480VAC phase-to-phase)
	09 90° Clockwise from Hand Hole	D1 (1V=10%)		
	18 180° Clockwise from Hand Hole	D3 (3V=30%)	N No	
	27 270° Clockwise from Hand Hole	D5 (5V=50%)		

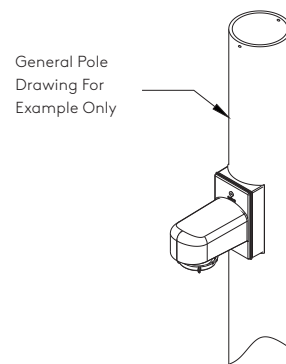
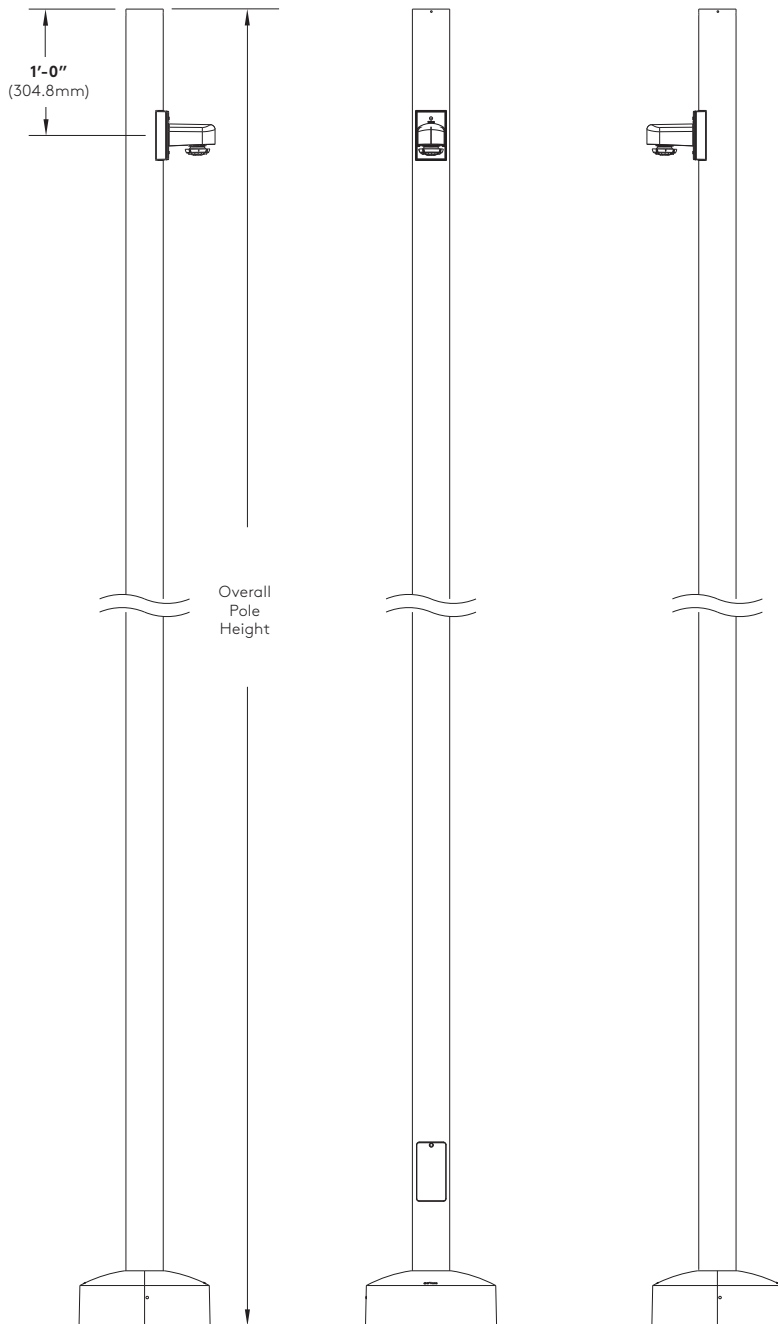
Factory Defaults:

Delay to Dim: 5 minutes

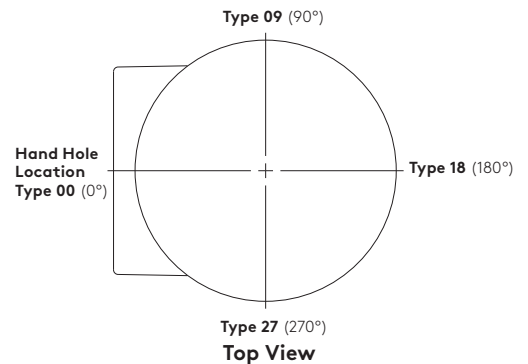
Delay to Off: 1 hour

Sensitivity: Max

Custom Programming: Consult Factory



Sensor angular orientation from hand hole 0° 90° increments clockwise around pole (Type 00, 09, 18, 27)



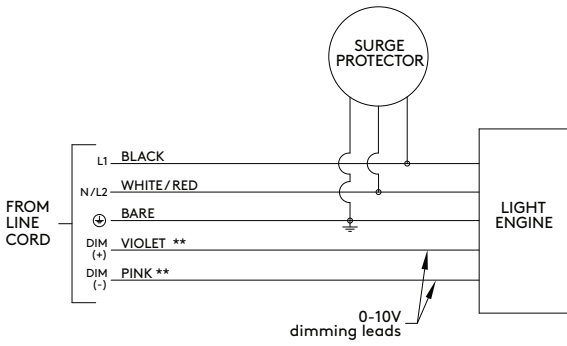
Motion Sensor Features

- Customize programming using smartphone application (Refer to the FSP-321 at www.wattstopper.com).
- 5 Year Warranty.
- 100% Digital PIR Detection, excellent RF Immunity.
- 270° coverage pattern.
- IP66 Rated for outdoor applications.
- Made for LED light source.
- Adjustable time delays, max/min dim levels, and ramp rates.
- Suitable for Title 24 applications.

(For coverage details refer to wattstopper FSP-321 spec sheet at www.wattstopper.com).

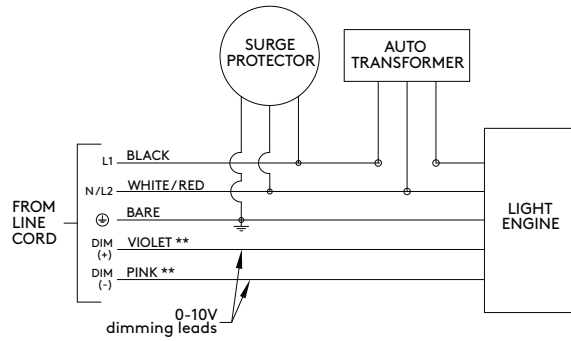
Standard Wiring (120V-277V)

**When dimming is not required cap dimming wires.

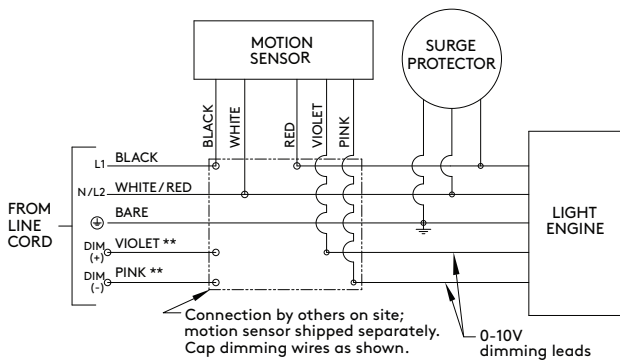


Standard Wiring (347/480V with Step-down Transformer)

**When dimming is not required cap dimming wires.

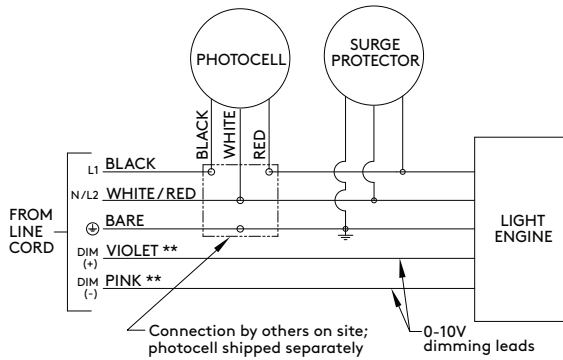


Motion Sensor Option (MS) Wiring (120-480V)

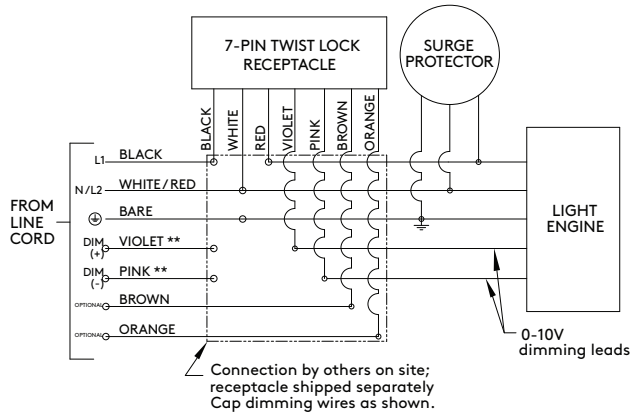


Photocell Option (TLRP) Wiring

**When dimming is not required cap dimming wires.

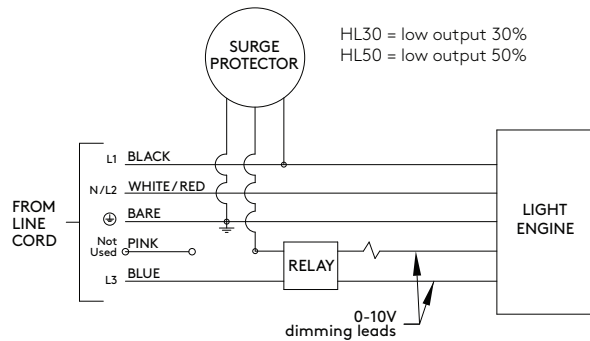


7-Pin Twist Lock Receptacle Option (TLR) Wiring



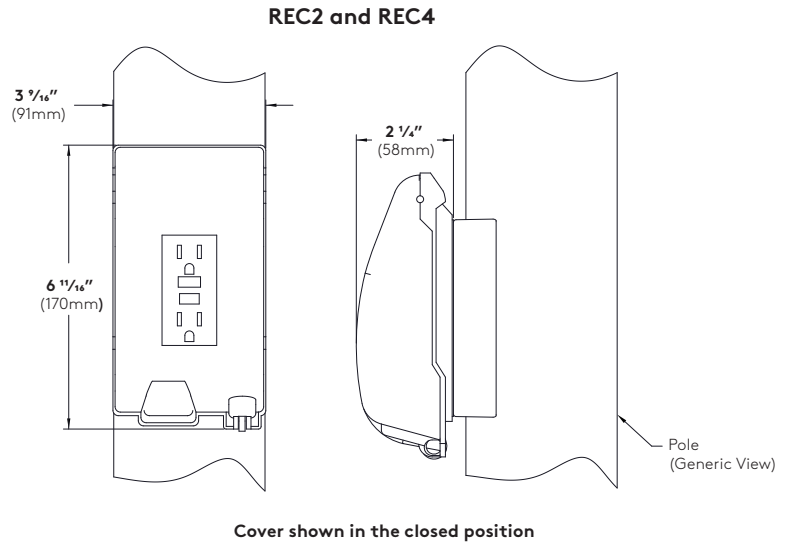
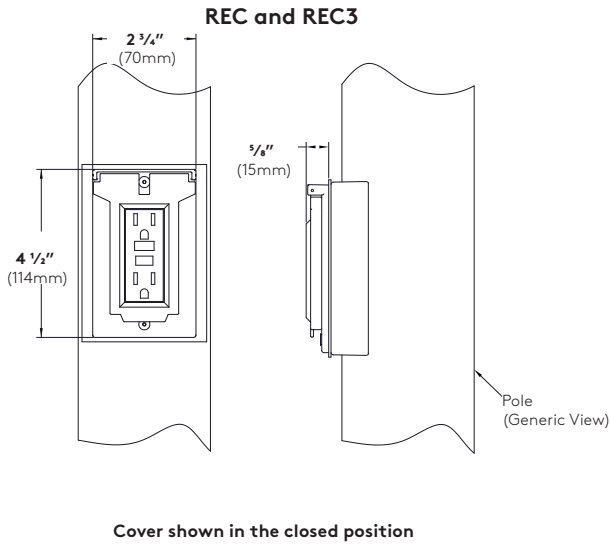
Hi-Lo Switching Option (HL) Wiring HL30/HL50 Only

120V, 240V, 277V. When blue is energized, light output will be at "Lo" level. Specify low-level by using the level listed below. For other combinations, consult factory.



Wire Designation Table		
Source Voltage (VAC)	Wire Color	Wire Designation
120V, 277V, or 347V	Black	L1
	White	Neutral
208V, 240V, or 480V	Black	L1
	Red	L2
UNV (120V-277V)	Black	L1
	White	Neutral (120/277V) or L2 (208/240V)

Optional Accessories



GFCI Receptacle (REC) - 120V 15A GFCI duplex receptacle with weatherproof, self closing cover; located 36" (915mm) o.c. from base of pole, in line with hand hole. Receptacle is intended only for portable tools or other portable equipment to be connected to outlet only when attended by operating personnel (120V only).

USB & Duplex Receptacle (REC3) (not shown) - 120V 20A duplex receptacle with USB combination ports. (1) type A and (1) type C high power 5A, 5V USB outlets. With weatherproof, self closing cover; located 36" (915mm) o.c. from base of pole, in line with hand hole. Receptacle is intended only for portable tools or other portable equipment to be connected to outlet only when attended by operating personnel.

REC3 does not incorporate GFCI (Ground Fault Circuit Interrupter) protection, and shall be powered by a GFCI protected branch circuit (by others).

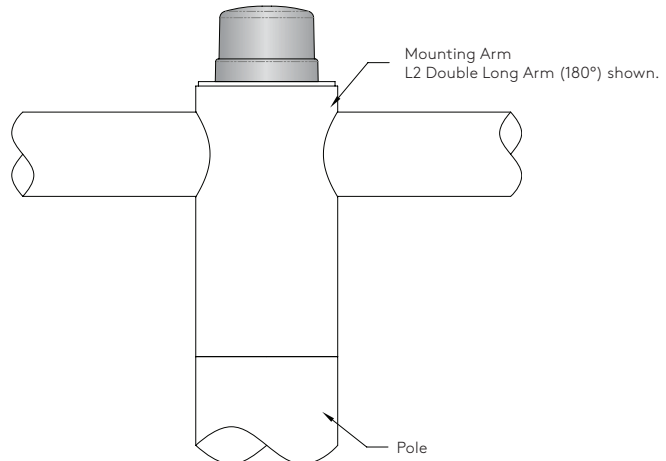
GFCI Receptacle (REC2) - 120V 15A GFCI duplex receptacle with weatherproof, self closing, padlockable in use cover; located 36" (915mm) o.c. from base of pole, in line with hand hole. Receptacle is intended only for portable tools or other portable equipment to be connected to outlet only when attended by operating personnel (120V only).

USB & Duplex Receptacle (REC4) (not shown) - 120V 20A duplex receptacle with USB combination ports. (1) type A and (1) type C high power 5A, 5V USB outlets. With weatherproof, self closing padlockable in use cover; located 36" (915mm) o.c. from base of pole, in line with hand hole. Receptacle is intended only for portable tools or other portable equipment to be connected to outlet only when attended by operating personnel.

REC4 does not incorporate GFCI (Ground Fault Circuit Interrupter) protection, and shall be powered by a GFCI protected branch circuit (by others).

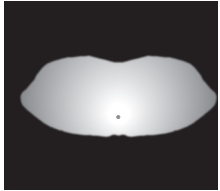
TLRP and TLR - A 3-pin twist-lock receptacle with photocell and 7-pin twist-lock receptacle with shorting cap.

Available for all pole and arm mounting configurations except Short Arm Wall (SW), Long Arm Wall (LW), and Long Arm Wall with Gusset (LGW).



Photometry

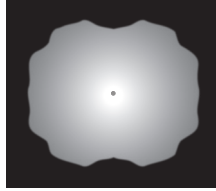
Photometric Performance - R3W, R3N & R5				
Light Engine	Lumens	CCT	Input Watts	lm/W
L700	3866	3000K	36	107
L105	5332	3000K	54	99



R3W - Type III (wide)



R3N - Type III (Narrow)



R5 - Type V

CCT Multiplier	
2700K	0.962
3000K	1.000
3500K	1.000
4000K	1.063
5000K	1.070