

ASTRO

Application Guide

Stylish. Functional. Brilliant.

selux

Product Specifications

Light Engine: Gen5; 80+ CRI

Output: up to 11,030lm nominal

CCT: 2700K, 3000K, 4000K; 3-Step Binning

Distributions: Type I, Type II, Type III, Type III Wide, Type IV,
Type V Round, Type V Square, Type V Rectangular

Options: Dimming, Hi-Lo Switching, GFCI, House Side Shield,
Twist-Lock Receptacle for Sensor, Photocell, Rotatable Optics



Experience the Fascination of Light

With its timeless appearance and advanced lighting technology, Astro provides a groundbreaking solution for the many requirements of urban spaces. By day it accentuates urban design while at night it creates a magical atmosphere with its pillowed corona and Gen 5 optics. When illuminated, the design details of the arm brackets are highlighted and show off the character and uniqueness of Astro.

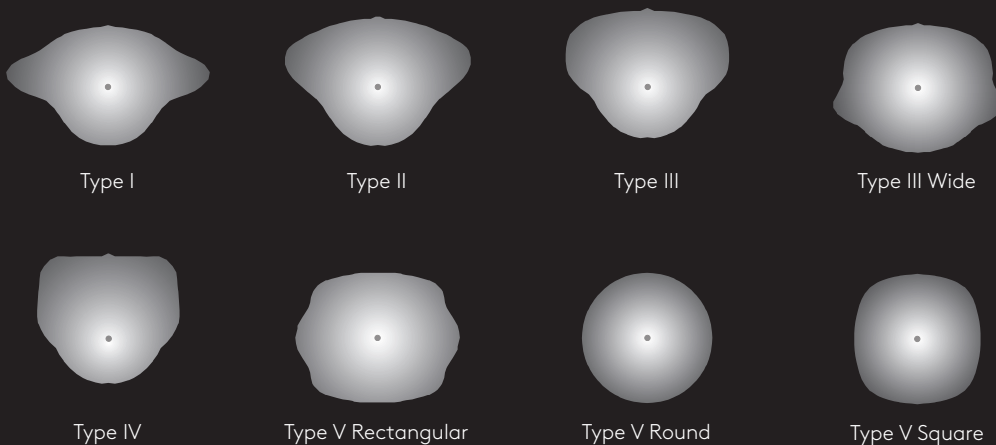


Gen5 Technology

The Selux Gen5 lens is an optical advancement that allows for a full range of distributions with excellent visual comfort. Unlike other optics, Gen5 is a proprietary design made of silicone, integrated into our existing and new exterior products to expand distribution options, increase lumen output, and provide a visual experience unique to Selux.

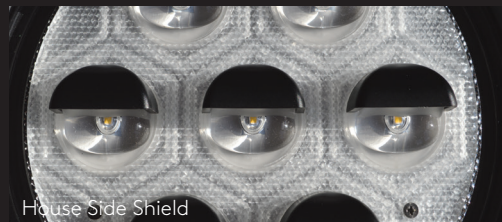
By keeping the vertical maximum intensity angle below 69° , Gen5 optics minimize brightness at critical viewing angles. In addition, Gen5 spreads brightness between LEDs which reduces contrast and increases the quality of the visual experience.

Standard Distributions



Micro House Side Shield

Instead of the typical house side shield that obstructs the look of the luminaire as well as interrupting the flow of a lighting design, Selux has created an exclusive field-installable discrete micro house side shield that clips directly to the lens, blocking light at the source.



Type IV
House Side Shield

Type IV house side shield distribution shown as example. House side shields may be used with any shown distribution.

* Not available with Type III Wide or Type V distributions.



Astro has the Fixture Seal of Approval issued by the International Dark Sky Association. The luminaire is certified to minimize glare, reduce light trespass, and have zero uplight.

selux



Expo 2016, Antalya, Turkey

The Astro Family

For a cohesive design across any project, Astro 1 and Astro 2 can be pole mounted as a single or double head arrangement or wall mounted for building vicinity lighting. Sustainability is a key feature of Astro - its LED technology and high control of light ensure low energy consumption and high application efficacy.



Astro 1



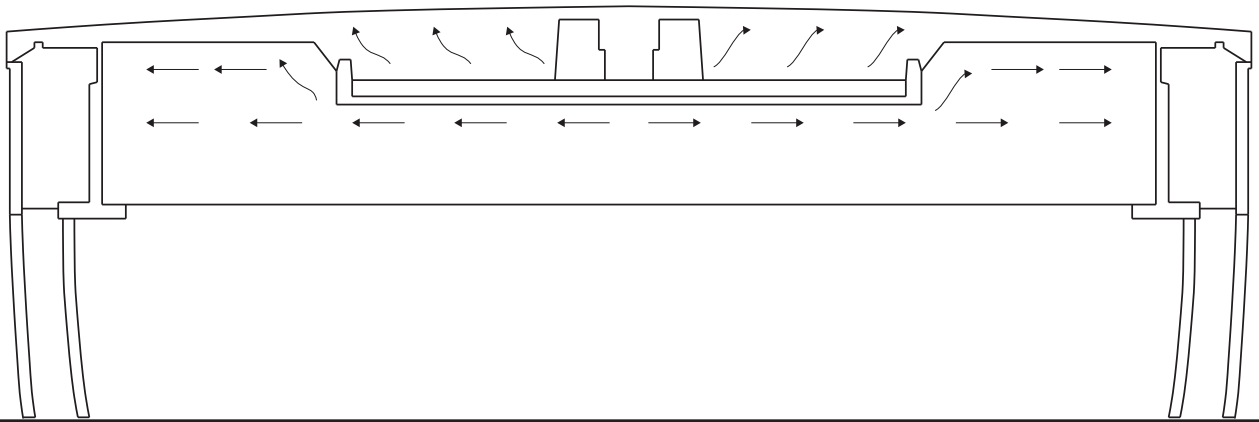
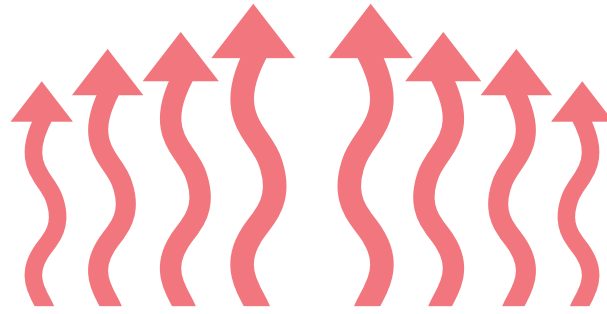
Astro 2

selux

Page 4 of 8
(Rev. 02/2020)

Integrated High Temperature Protection

A sophisticated thermal management system ensures optimal utilization of the LED light source. The light engine is in direct contact with the enclosure and located above internal heat sink features, keeping the housing clean and enabling continuous external discharge of high temperatures.

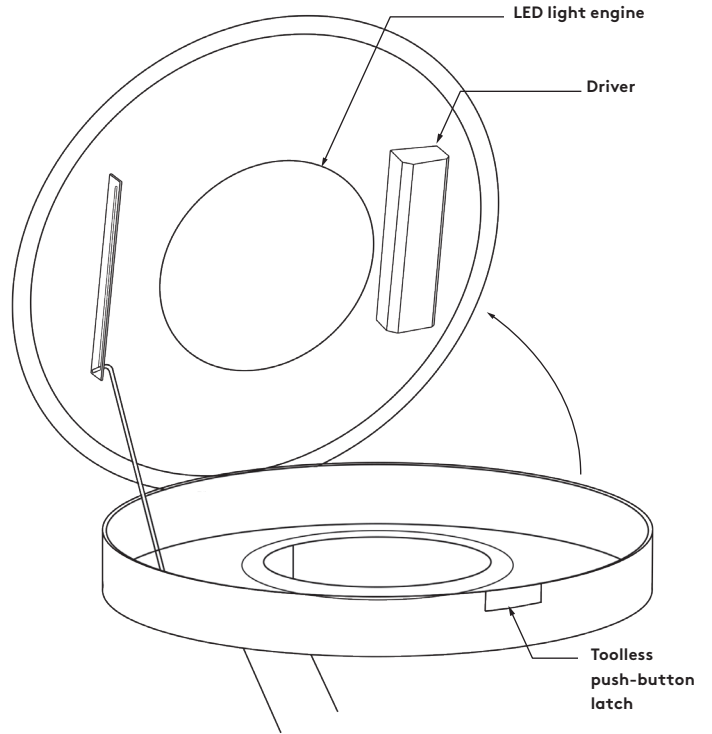


Neubrandenburg, Germany
Photo courtesy of Claus Boeckh



Ease of Maintenance

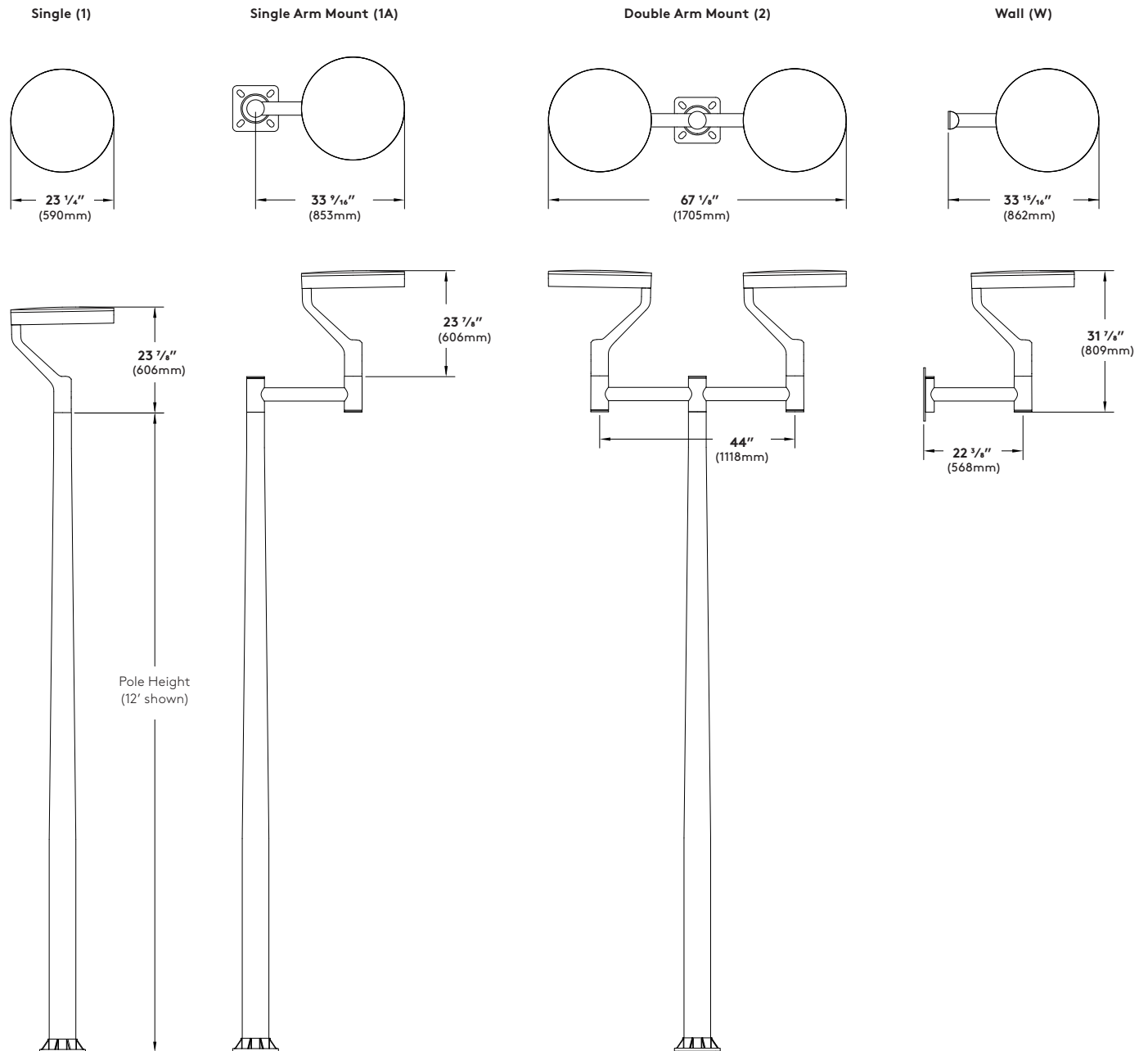
Astro allows for toolless access with an integrated push-button latch. One quarter turn fastener removes LED driver gear tray. Driver is located on upper luminaire housing, and light engine mounts with screws, slotted holes, and quick disconnects for fast and easy replacement.



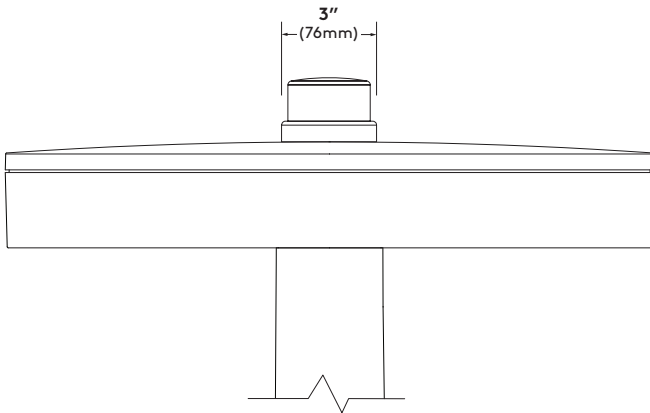
Signature aesthetics differentiate Astro from other post-top luminaires

Mounting

Choose from Single (1), Single Arm Mount (1A), Double Arm Mount (2), and Wall (W) mounting arrangements to create a continuous aesthetic throughout the project. Astro is designed for A40, AT54, AT64, and AT74 round poles with 3" tenon.



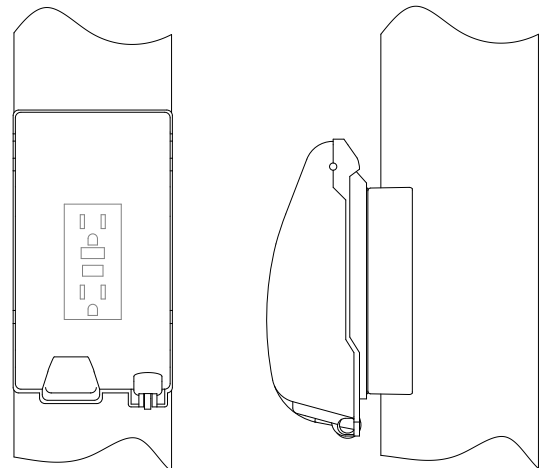
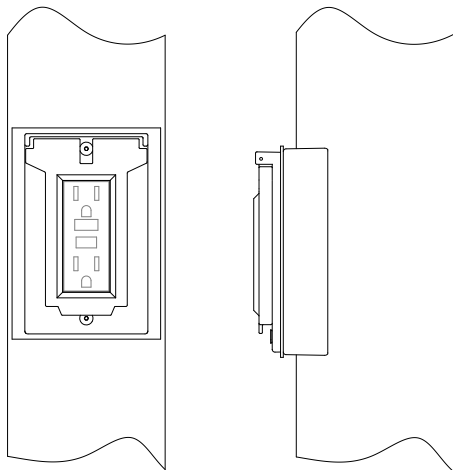
Additional Options



Motion Sensor with optional Photocell - The Selux outdoor rated sensor incorporates Passive Infrared (PIR) technology for motion sensing and also includes a built in photocell. Designed to mount directly through a 1/2" KO in a single gang faceplate on pole/column, the Acuity SBO Series sensor utilizes 100% Digital Passive Infrared (PIR) technology that is tuned for walking size while preventing false tripping from the environment.

GFCI Receptacle (REC) - 120V 15A GFCI duplex receptacle with weather-proof, self-closing cover; located 18" (457mm) from base of pole, inline with handhole.

GFCI Receptacle (REC2) - 120V 15A GFCI duplex receptacle with weather-proof, self-closing, padlockable cover; located 18" (457mm) from base of pole, inline with handhole.



USB & Duplex Receptacle (REC3) - 120V 15A duplex receptacle with USB combination ports. (1) type A and (1) type C high power 5 Amp, 5 Volt USB outlets. With weather-proof, self-closing cover; located 36" (915mm) from base of pole, inline with handhole.

USB & Duplex Receptacle (REC4) - 120V 15A duplex receptacle with USB combination ports. (1) type A and (1) type C high power 5 Amp, 5 Volt USB outlets. With weather-proof, self-closing padlockable in-use cover; located 36" (915mm) from base of pole, inline with handhole.